



PORTER
PIAGGIO **NPS**
THE CITY TRUCK





EXTRA-LARGE PERFORMANCE IN A SMALL SIZE

Conceived to excel in short range goods transport applications, **Porter NP6** is the perfect vehicle for working in the **urban environment**, with its increasingly congested traffic and ever more restrictive emissions regulations. The unique configuration of Porter NP6 sets it head and shoulders above its rivals as the only vehicle to offer **class-beating load capacity combined with ultra-compact dimensions, superior manoeuvrability and environmentally friendly powertrains**.

The choice of both short and long wheelbase versions with single or twin wheel rear axles **significantly extends the possibilities offered** by the Porter NP6 for outfitting, making it capable of being fitted with a comprehensive range of equipment and body variants with the performance necessary to cater for a wide variety of professional applications. Porter NP6 is the perfect example of a vehicle conceived to **maximise efficiency in terms of both performance** (with, for example, a record-breaking ratio between tare weight-load capacity/overall footprint) **and costs** (with the lowest TCO in its class, made possible by a low purchase price combined with extraordinarily economical running costs). All of these factors make Porter NP6 **the ideal solution for operators working predominantly in the city**, from Key Clients and small to medium size businesses to professionals and artisans.

BORN TO STAND OUT: WINNING FEATURES



INCREDIBLY COMPACT

Cab width of just: **1,640** mm.
Minimum length 4,215 mm⁽¹⁾ for a ground footprint under 7 m².



EXTRAORDINARY CARGO CAPACITY AND UNBEATABLE EFFICIENCY

Chassis load capacity up to **1.6 tonnes⁽²⁾** (GWV **2.8 tonnes**) equating to over 200 Kg of effective cargo capacity per m².



ECO-COMPATIBLE POWERTRAINS

Lower fuel costs than an equivalent petrol-engined vehicle, extended range offered by second fuel tank and access to city centres subject to traffic restrictions.



COMPETITIVE OVERALL OPERATING COSTS

30%⁽³⁾ less than average costs for N1 category vehicles. A vehicle that is not only less expensive to buy than its rivals, but which also offers significant benefits in terms of lower running costs throughout its entire life cycle.



SUPERIOR FLEXIBILITY FOR CUSTOM OUTFITTING

An optimised range with an intelligent choice of chassis type-wheelbases combinations equippable with high performance outfits measuring up to **1,800** mm⁽⁴⁾ in width and **3,550** mm⁽⁵⁾ in length.



A COMPREHENSIVE RANGE FOR EVERY POSSIBLE APPLICATION

Up to **1,400** variants available to cater for any possible urban mission profile.

(1) Fixed Deck SW L1 Version - (2) Chassis TW LR LPG Version - (3) Estimated considering a service life of 5 years with an annual mileage of 15,000 km (urban mission). Compared with average for competitor vehicles with GWV of 3.5 tonnes and turbodiesel engines with a displacement of 2.0 litres or less - (4) Chassis TW Version - (5) TW L2 LR CNG Version, with evenly distributed load.

A CONFIGURATION CONCEIVED AND DEVELOPED FOR THE CITY



SEMI CAB-OVER LAYOUT

The compact dimensions (**just 1,640 mm in width**), and semi cab-over configuration of the cab ensure the superlative manoeuvrability needed to get the job done even in the narrowest streets and alleys of the city centre. The cab also meets the stringent safety requirements of the regulation ECE R29.



FLEXIBLE RANGE

The possibility of combining both short and long wheelbase versions with single or dual wheel rear axles significantly **extends the possibilities offered by Porter NP6 for outfitting**.

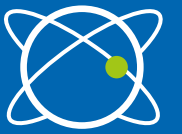
On top of this, a choice of two different final drive ratios lets users maximise fuel economy in relation to their specific mission profile or increase pull-away performance, to make life easier when starting and stopping on steep gradients.



DESIGNED FOR PROFESSIONALS

The sturdy ladder frame chassis constructed from box section high strength steel elements, combined with the double leaf parabolic spring rear suspension ensure class-leading **performance** in terms of **effective load capacity**, with a chassis load capacity of up to **1.6 tonnes⁽¹⁾** (on 2.8 tonne GWV version). **Rear wheel drive** means that the load actually increases the grip of the drive wheels, ensuring superlative road-holding characteristics. To maximise the possibilities for outfitting, **power take-offs are available on both the engine and transmission**, with outputs of up to 16 kW.

(1) Chassis TW LR LPG Version



OPTIMISED SPACE USAGE

The **compact cab** of the Porter NP6 maximises the area dedicated to cargo (up to 60% of the total footprint of the vehicle), for an **extraordinarily long load deck** in spite of the small overall size of the vehicle.



EURO 6D FINAL ENGINE

Porter NP6 is powered by a 1,500 cc in-line 4-cylinder engine with double overhead camshafts and indirect electronic injection situated longitudinally under the cab. **Short and Long Range** variants are offered, to cater for different mission ranges.

COMPACT,
HIGH PERFORMANCE,
ONLY GREEN.



RANGE

BORN READY

A choice of ready-to-go versions catering for all professionals needing a vehicle with a factory-fitted fixed load bed or tipper bed body.



FIXED DECK

With its compact and slim silhouette allowing for extraordinary manoeuvrability, **Porter NP6 Fixed Deck** is the ideal transport solution for all professionals needing a capacious and easily accessible load bed.



TIPPER BED

Based on the fixed deck version, the practical rear-tipping system of **Porter NP6 Tipper Bed** makes transporting and unloading loose material simpler and easier.

TAILOR-MADE FOR YOUR BUSINESS



CHASSIS

Porter NP6 Chassis is the perfect starting point for a wide variety of high performance outfitting variants. With a choice of short or long wheelbase chassis versions, both of which available with a single or dual wheel rear axle, these vehicles can be equipped with outfits that combine superlative performance with extraordinarily efficient space usage.

EACH MODEL IS AVAILABLE IN:

4 CHASSIS VERSIONS

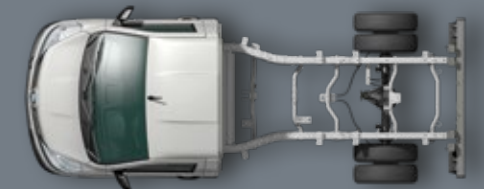
A total of four different vehicle architecture variants are possible by combining short or long wheelbase chassis variants with a single or dual wheel rear axle.

SINGLE WHEEL



2,650 mm

TWIN WHEELS



3,000 mm



3,070 mm



3,250 mm

2 ENGINES

A range offering all-green economy and power, with a choice of two dual-fuel powertrains.



PETROL + LPG



PETROL + METHANE

SHORT RANGE

FOR PREDOMINANTLY URBAN MISSION PROFILES

LONG RANGE

FOR PROFESSIONALS WHO ALSO WORK FREQUENTLY OUT OF TOWN

5 EQUIPMENT LEVELS

The flexibility of Porter NP6 is also evident in the choice of equipment levels offered: an impressive choice of five variants is offered, letting customers choose the configuration that caters best for their needs in terms of work and comfort.

STANDARD FINAL DRIVE RATIO



START



PLUS



TOP

LOW FINAL DRIVE RATIO



HD



HD TOP

5 COLOURS



SAPPHIRE BLUE



AMBER ORANGE



GARNET RED



BASALT GREY



PLASTER WHITE

TWO ENGINE CHOICES

Powered exclusively by combi fuel engines (petrol + LPG/Methane), the entire Porter NP6 range is **environmentally friendly**. Choosing a **GREEN** powertrain not only offers tangible benefits to the customer in terms of lower fuel costs, it also meets the evolving requirements for working in the urban environment, with its ever more restrictive emissions regulations.

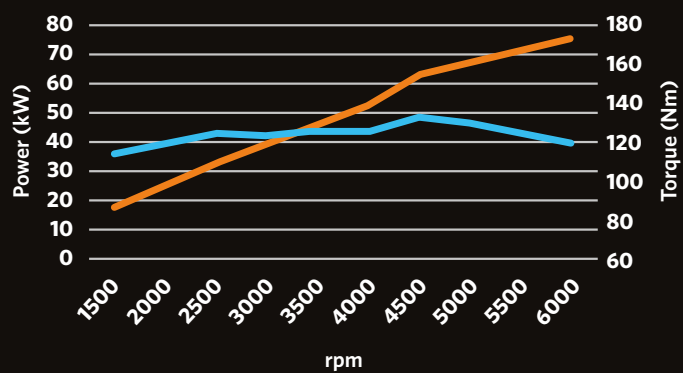
Euro 6D-Final compliant 1.5 litre in-line 4-cylinder, 4-stroke Otto cycle engine with chain driven overhead camshafts, dual variable valve timing adjusters (on both intake and exhaust camshafts), and aluminium alloy cylinder block and head.

Fuel	Petrol + LPG	Petrol + Methane
Engine capacity	1,498 cc	
Bore and Stroke	74 x 87.1 mm	
Maximum power (kW@rpm) ¹	75 @ 6,000	68 @ 6,000
Maximum torque (Nm@rpm) ¹	132 @ 4,500	118 @ 4,500
Maximum power (kW@rpm) ²	78 @ 6,000	
Maximum torque (Nm@rpm) ²	136 @ 4,500	

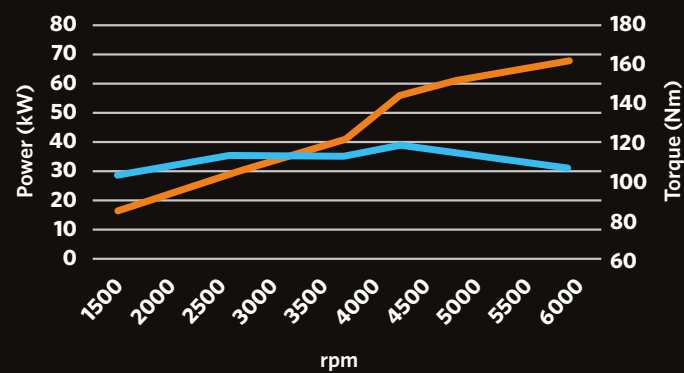
(1) Power and torque in LPG/methane mode
(2) Power and torque in petrol mode



LPG



METHANE



CHOOSE ACCORDING TO YOUR RANGE OF ACTION

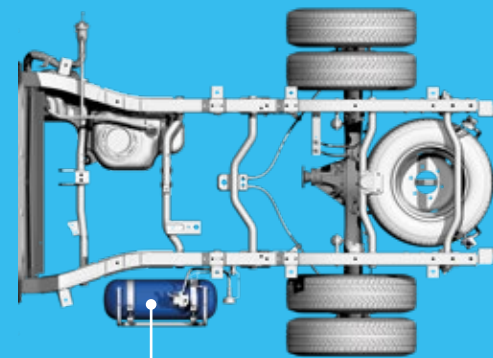
SHORT RANGE FOR PREDOMINANTLY URBAN MISSION PROFILES

Short Range versions are powered by combi fuel petrol/LPG or petrol/Methane engines and have a maximum range in green fuel mode optimised for the needs of day-to-day use within the **city limits**.

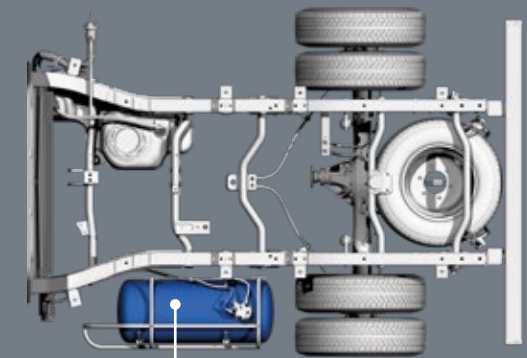
LONG RANGE FOR PROFESSIONALS WHO ALSO WORK FREQUENTLY OUT OF TOWN

Long Range versions are powered by combi fuel petrol/LPG or petrol/Methane engines and boast extended range in green fuel mode to cater effectively for the needs of professionals who **travel longer distances for work**.

LPG

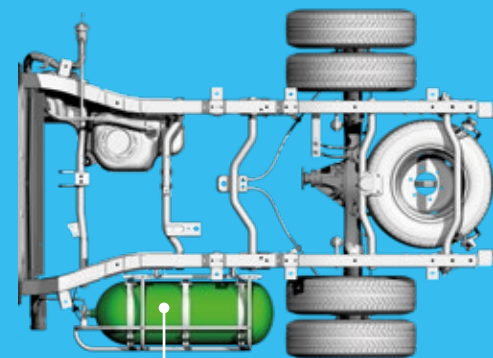


1x15 Lt

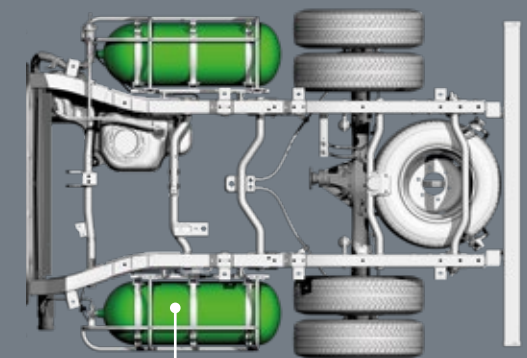


1x55 Lt

METHANE



1x55 Lt



2x55 Lt

Example layout on Twin Wheel Chassis version with 3,000 mm wheelbase

SAFETY SYSTEMS

Porter NP6 is designed and built for working in **safety and comfort**. Modern driver assistance systems not only make the vehicle easier and safer to drive but also optimise performance.



ELECTRONIC STABILITY CONTROL

Intervenes in case of a skid to restore the stability of the vehicle.



ANTI SLIP REGULATION

Prevents wheelspin of the drive wheels under acceleration.



HYDRAULIC BRAKE ASSIST

Ensures that the maximum braking force available is generated even when the pressure applied to the pedal by the driver is not sufficient to achieve the required deceleration.



ECALL

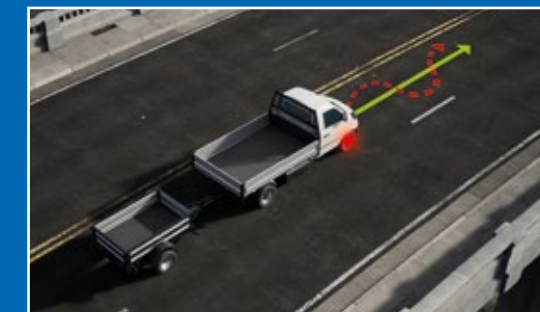
A safety system effective throughout Europe which automatically places a call to the emergency services to ensure a rapid response in the event of an accident.



TRAILER SWAY MITIGATION

Prevents loss of control of the vehicle due to trailer fishtailing occurring under braking or when steering suddenly, or caused by crosswinds. The system uses two strategies to restore the stability of the vehicle:

- Applying asymmetric braking force to counter the yaw movement of the vehicle;
- Reducing the speed of the vehicle to below a critical threshold.



ANTI-LOCK BRAKING SYSTEM

Prevents the wheels from locking up under braking to improve directional control and shorten stopping distances.



ELECTRONIC BRAKE FORCE DISTRIBUTION

Automatically varies the brake force applied to each of the wheels to prevent loss of control caused by locking-up of one or more wheel under less load.



TRACTION CONTROL SYSTEM

Detects a difference in speed between the drive wheels and applies braking force to the wheel rotating at higher speed.



ACTIVE ROLL-OVER PREVENTION

Recognises an imminent roll-over situation and selectively applies braking force to the wheels to return the vehicle to a stable position.



EQUIPMENT

To cater for the specific needs of each customer, Porter NP6 is offered with five different equipment levels which, in addition to the modern standard equipment, include an extensive selection of features to improve on-board quality of life and the functionality of the vehicle itself.

	STANDARD FINAL DRIVE RATIO			LOW FINAL DRIVE RATIO	
	START	PLUS	TOP	HD	HD TOP
1	Electric power steering	•	•	•	•
2	Hill holder	•	•	•	•
3	Power windows	•	•	•	•
4	Remote door locking	•	•	•	•
5	Rubber mat with USB charging port	•	•	•	•
6	Glasses holder	•	•	•	•
7	Outfitter interface	•	•	•	•
8	Parabolic spring rear suspension	•	•	•	•
9	Driver side airbag	•	•	•	•
10	ABS, ESC, EBD, ASR	•	•	•	•
11	eCall (automatic emergency call function)	•	•	•	•
12	Immobilizer	•	•	•	•
13	Rain and twilight sensor	•	•	•	•
14	Fix and go kit (1)	•	•	•	•
15	Provision for power take-off on transmission	•	•	•	•
16	Electric headlight level adjustment	•	•	•	•
17	12V power socket	•	•	•	•
18	Provision for audio system	•	•	•	•
19	DAB audio system with Bluetooth	■	•	•	■
20	Manual air conditioning	-	•	•	-
21	Heated, folding and electrically adjustable external rear view mirrors	-	•	•	-
22	Passenger side airbag	-	-	•	-
23	Body coloured front bumper	-	-	•	-
24	Fog lights	■	■	•	•
25	Low final drive ratio	-	-	-	•

(•) standard (-) not available (■) available as accessory from the Dealer

(1) spare wheel available only as accessory

The low final drive ratio allows **HD** and **HD Top** versions to tackle high load tasks with ease even on steep roads, significantly improving fuel consumption, driveability and maximum gradient capability.

WELCOME ABOARD



EVERYTHING WITHIN EASY REACH

ODDMENTS BIN AND GLASSES HOLDER

IN-CAB COMFORT

THE ERGONOMIC DRIVER SEAT, SITUATED AT THE IDEAL HEIGHT, AND COMPACT STEERING WHEEL ENSURE THE DRIVER A CLEAR VIEW OF THE SURROUNDINGS, MAKING DRIVING AND PARKING EASIER.



COMFORT AT FIRST SIGHT

RUBBER PHONE HOLDER MAT WITH USB CHARGING PORT

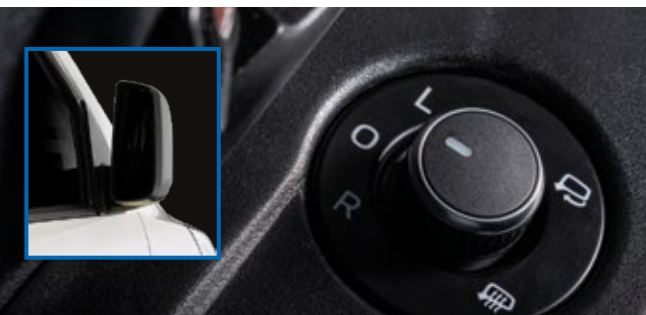


FUNCTIONALITY AND ENTERTAINMENT

CENTRE CONSOLE WITH DAB + BLUETOOTH AUDIO SYSTEM AND AIR CONDITIONING SYSTEM CONTROLS

EVERYTHING UNDER CONTROL

INTUITIVE, CLEARLY LEGIBLE INSTRUMENT PANEL



EXTERNAL MIRRORS

ELECTRICALLY ADJUSTABLE AND FOLDING WITH DEMIST FUNCTION



ELECTRONIC CONTROL SET

TIPPER BED CONTROL BUTTON



FIXED DECK

Conceived to offer all the space you need for any job, Porter NP6 Fixed Deck is the ideal version for any professional who needs a **load bed where every inch can be used effectively and with superlative performance** (up to 1,440 kg cargo capacity). Heavy and bulky loads are no problem: easy access to the entire cargo area and practical anchorage systems make transporting simple and safe.

PETROL + LPG

SINGLE WHEEL VERSION						
RANGE VARIANT	SHORT RANGE	LONG RANGE	SHORT RANGE	LONG RANGE	SHORT RANGE	LONG RANGE
WHEELBASE (mm)	2,650		3,070			
DIMENSIONS (l x w x h) (mm)	4,215 x 1,680 x 1,840		4,545 x 1,680 x 1,840		4,815 x 1,680 x 1,840	
LOAD BED DIM. (l x w) (mm)	2,200 x 1,680		2,530 x 1,680		2,800 x 1,680	
GVW (Kg)	2,120	2,260	2,260	2,400	2,260	2,400
EFFECTIVE LOAD CAPACITY (kg)	930	1,045	1,000	1,115	975	1,090

TWIN WHEEL VERSION					
RANGE VARIANT	SHORT RANGE	LONG RANGE	SHORT RANGE	SHORT RANGE	LONG RANGE
WHEELBASE (mm)	3,000		3,250		
DIMENSIONS (l x w x h) (mm)	4,545 x 1,800 x 1,840		4,815 x 1,800 x 1,840		5,095 x 1,800 x 1,840
LOAD BED DIM. (l x w) (mm)	2,530 x 1,800		2,800 x 1,800 ⁽¹⁾		3,080 x 1,800
GVW (Kg)	2,520	2,800	2,520	2,520	2,800
EFFECTIVE LOAD CAPACITY (kg)	1,195	1,440	1,155	1,150	1,395

(1) Available with Short Range versions only

MORE SPACE FOR YOUR CARGO

LOAD
THRESHOLD
HEIGHT
800 MM

ALUMINIUM
DROPSIDES
(ON BOTH
SIDES) AND
TAILBOARD

**FLAT,
EVEN
LOAD BED**

UP TO **4**
EUROPALLETS

STANDARD
LENGTH OR
EXTRA LONG
LOAD BED



PETROL + METHANE

SINGLE WHEEL VERSION						
RANGE VARIANT	SHORT RANGE	LONG RANGE	SHORT RANGE	LONG RANGE	SHORT RANGE	LONG RANGE
WHEELBASE (mm)	2,650		3,070			
DIMENSIONS (l x w x h) (mm)	4,215 x 1,680 x 1,840		4,545 x 1,680 x 1,840		4,815 x 1,680 x 1,840	
LOAD BED DIM. (l x w) (mm)	2,200 x 1,680		2,530 x 1,680		2,800 x 1,680	
GVW (Kg)	2,120	2,260	2,260	2,400	2,260	2,400
EFFECTIVE LOAD CAPACITY (kg)	915	990	980	1,060	950	1,035

TWIN WHEEL VERSION					
RANGE VARIANT	SHORT RANGE	LONG RANGE	SHORT RANGE	SHORT RANGE	LONG RANGE
WHEELBASE (mm)	3,000		3,250		
DIMENSIONS (l x w x h) (mm)	4,545 x 1,800 x 1,840		4,815 x 1,800 x 1,840		5,095 x 1,800 x 1,840
LOAD BED DIM. (l x w) (mm)	2,530 x 1,800		2,800 x 1,800 ⁽¹⁾		3,080 x 1,800
GVW (Kg)	2,520	2,800	2,520	2,520	2,800
EFFECTIVE LOAD CAPACITY (kg)	1,135	1,335	1,100	1,090	1,290

(1) Available with Short Range versions only



FOR SIGNIFICANTLY EASIER UNLOADING



CAB PROTECTOR
AS STANDARD

ALLOY
DROPSIDES
AND
TAILBOARD

FLAT,
EVEN
LOAD BED

ELECTROHYDRAULIC
TIPPER SYSTEM

TIPPER BED

The Tipper Bed version combines the strengths of the structure of the fixed deck with the **practicality of a tipper system with a maximum tip angle of 45°**. Ideal for **transporting and unloading loose and heavy materials**, this vehicle is the perfect answer to the needs of small construction businesses, for example.

PETROL + LPG

RANGE VARIANT	SINGLE WHEEL VERSION			
	SHORT RANGE	LONG RANGE	SHORT RANGE	LONG RANGE
WHEELBASE (mm)	2,650		3,070	
DIMENSIONS (l x w x h) (mm)	4,215 x 1,680 x 1,840		4,815 x 1,680 x 1,840	
LOAD BED DIM. (l x w) (mm)	2,200 x 1,680		2,800 x 1,680	
GVW (Kg)	2,120	2,260	2,260	2,400
EFFECTIVE LOAD CAPACITY (kg)	835	955	885	1,000

RANGE VARIANT	TWIN WHEEL VERSION				
	SHORT RANGE	LONG RANGE	SHORT RANGE	SHORT RANGE	LONG RANGE
WHEELBASE (mm)	3,000		3,250		
DIMENSIONS (l x w x h) (mm)	4,545 x 1,800 x 1,840		4,815 x 1,800 x 1,840		5,095 x 1,800 x 1,840
LOAD BED DIM. (l x w) (mm)	2,530 x 1,800		2,800 x 1,800 ⁽¹⁾		3,080 x 1,800
GVW (Kg)	2,520	2,800	2,520	2,520	2,800
EFFECTIVE LOAD CAPACITY (kg)	1,100	1,345	1,070	1,050	1,300

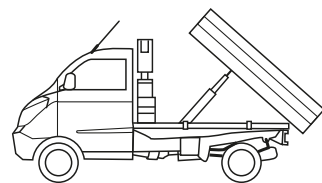
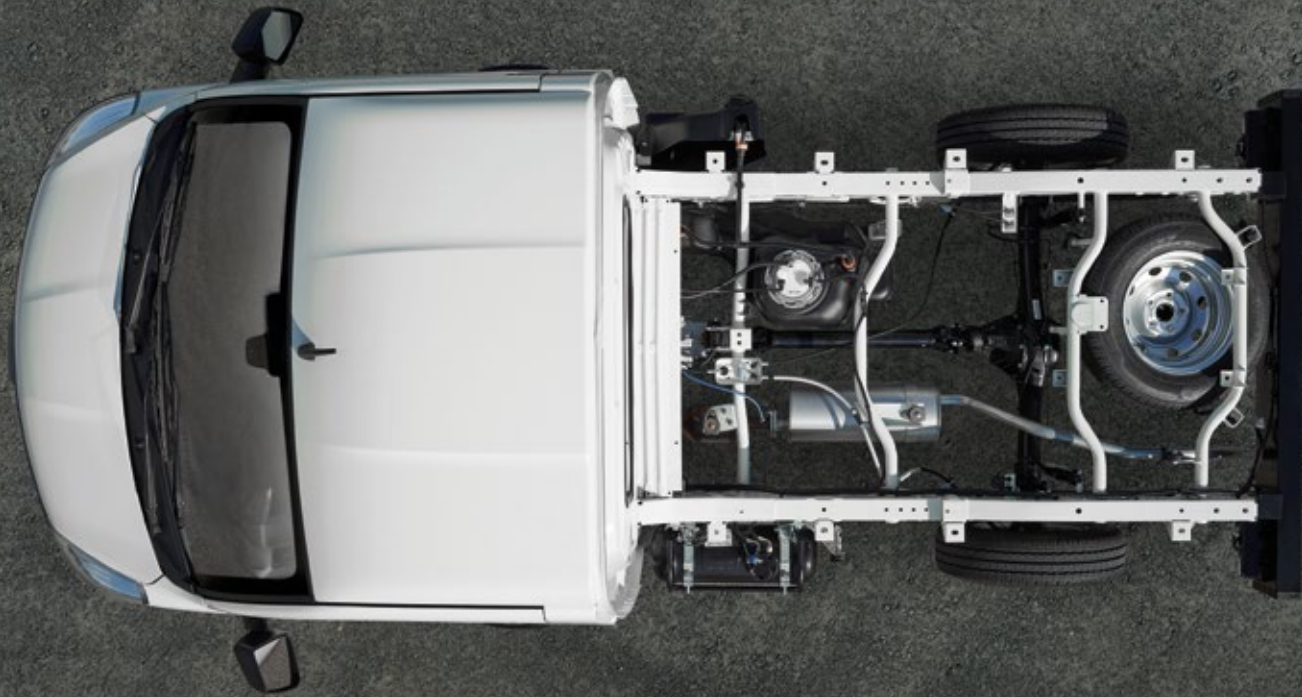
(1) Available with Short Range versions only

PETROL + METHANE

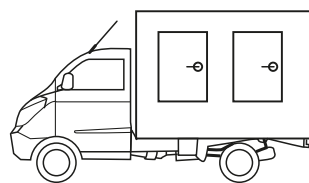
RANGE VARIANT	SINGLE WHEEL VERSION			
	SHORT RANGE	LONG RANGE	SHORT RANGE	LONG RANGE
WHEELBASE (mm)	2,650		3,070	
DIMENSIONS (l x w x h) (mm)	4,215 x 1,680 x 1,840		4,815 x 1,680 x 1,840	
LOAD BED DIM. (l x w) (mm)	2,200 x 1,680		2,800 x 1,680	
GVW (Kg)	2,120	2,260	2,260	2,400
EFFECTIVE LOAD CAPACITY (kg)	815	895	860	945

RANGE VARIANT	TWIN WHEEL VERSION				
	SHORT RANGE	LONG RANGE	SHORT RANGE	SHORT RANGE	LONG RANGE
WHEELBASE (mm)	3,000		3,250		
DIMENSIONS (l x w x h) (mm)	4,545 x 1,800 x 1,840		4,815 x 1,800 x 1,840		5,095 x 1,800 x 1,840
LOAD BED DIM. (l x w) (mm)	2,530 x 1,800		2,800 x 1,800 ⁽¹⁾		3,080 x 1,800
GVW (Kg)	2,520	2,800	2,520	2,520	2,800
EFFECTIVE LOAD CAPACITY (kg)	1,040	1,245	1,010	995	1,195

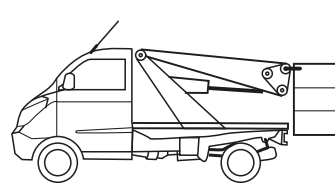
(1) Available with Short Range versions only



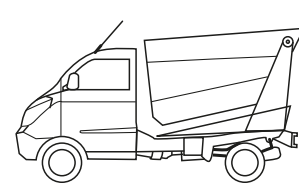
CONSTRUCTION LAST



MILE LOGISTICS



MAINTENANCE



URBAN SANITATION

CHASSIS

Porter NP6 Chassis may be equipped with **outfits** with performance comparable to solutions normally installed on larger vehicles, but with a **significantly smaller footprint**.

PETROL + LPG

RANGE VARIANT	SINGLE WHEEL VERSION			
	SHORT RANGE	LONG RANGE	SHORT RANGE	LONG RANGE
WHEELBASE (mm)	2,650		3,070	
DIMENSIONS (l x w x h) (mm)	4,085 x 1,640 x 1,840		4,505 x 1,640 x 1,840	
GVW (Kg)	2,120	2,260	2,260	2,400
CHASSIS LOAD CAPACITY (kg)	1,075	1,190	1,155	1,275

RANGE VARIANT	TWIN WHEEL VERSION			
	SHORT RANGE	LONG RANGE	SHORT RANGE	LONG RANGE
WHEELBASE (mm)	3,000		3,250	
DIMENSIONS (l x w x h) (mm)	4,435 x 1,714 x 1,840		4,685 x 1,714 x 1,840	
GVW (Kg)	2,520	2,800	2,520	2,800
CHASSIS LOAD CAPACITY (kg)	1,360	1,610	1,345	1,595

A PROFESSIONAL BASE FOR OUTFITTING



STRENGTH

Reinforced, high bending moment chassis beam/cab bulkhead interface node

PERFORMANCE

Ladder frame chassis constructed from box section high strength steel elements measuring up to 237 x 65 mm

STABILITY

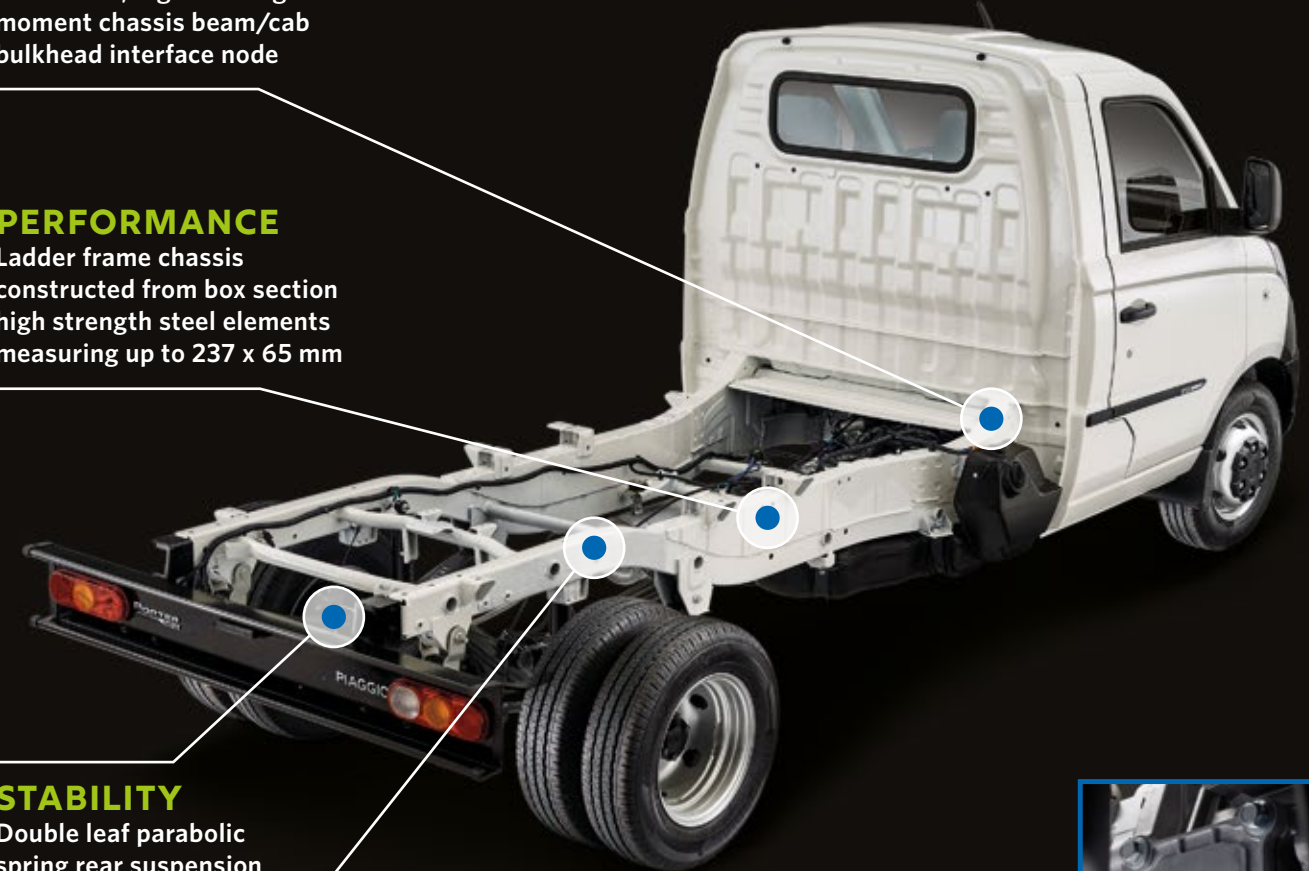
Double leaf parabolic spring rear suspension

FLEXIBILITY

A choice of 4 chassis versions to meet the needs of any outfit

POWER

Power take-offs available on both engine and transmission, with outputs of up to 16 kW. The transmission power take-off is also available as an accessory.

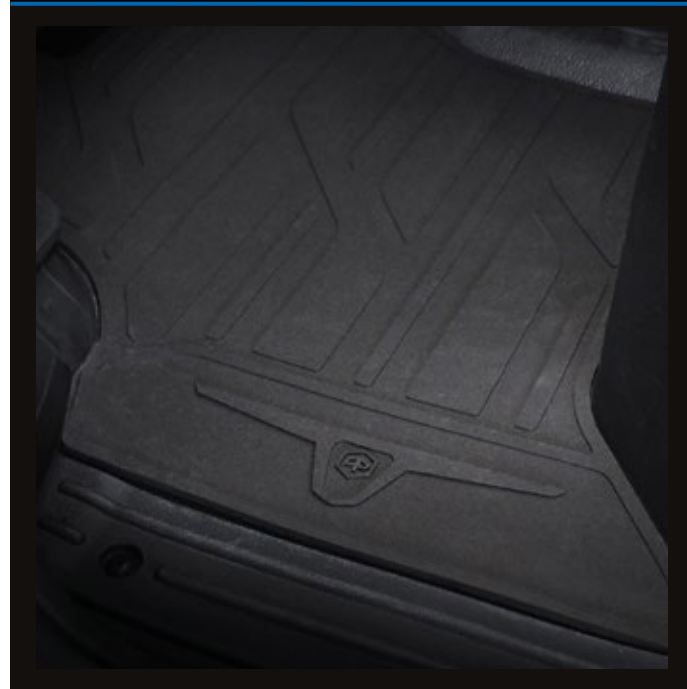


PRACTICALITY AND COMFORT: ACCESSORIES



SEAT COVERS AND RUBBER MATS

ULTRA-RESILIENT AND COMFORTABLE TRIM MATERIALS



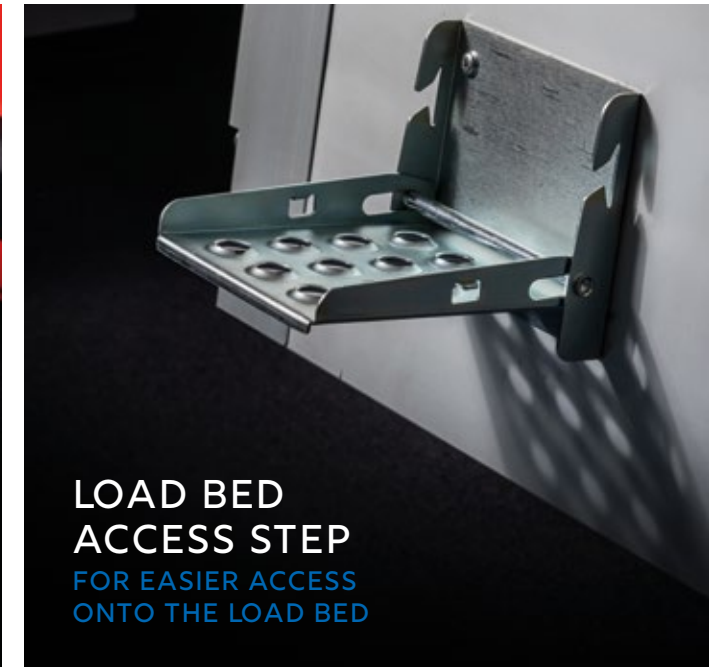
BOX OFFICE

A CAPACIOUS BAG STOWED ON THE PASSENGER SEAT FOR KEEPING EVERYTHING YOU NEED FOR WORK TIDILY AND READY TO USE



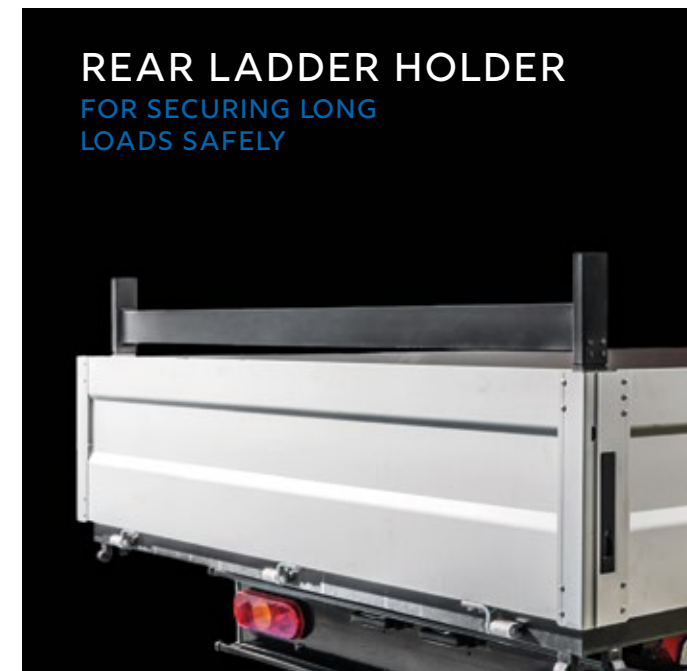
CAB ACCESS STEP

IDEAL FOR FREQUENT STOPS



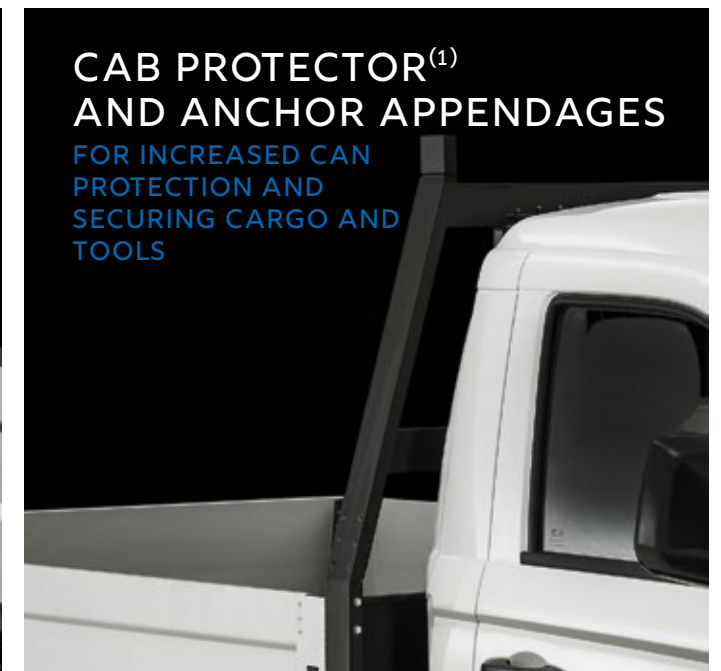
LOAD BED ACCESS STEP

FOR EASIER ACCESS ONTO THE LOAD BED



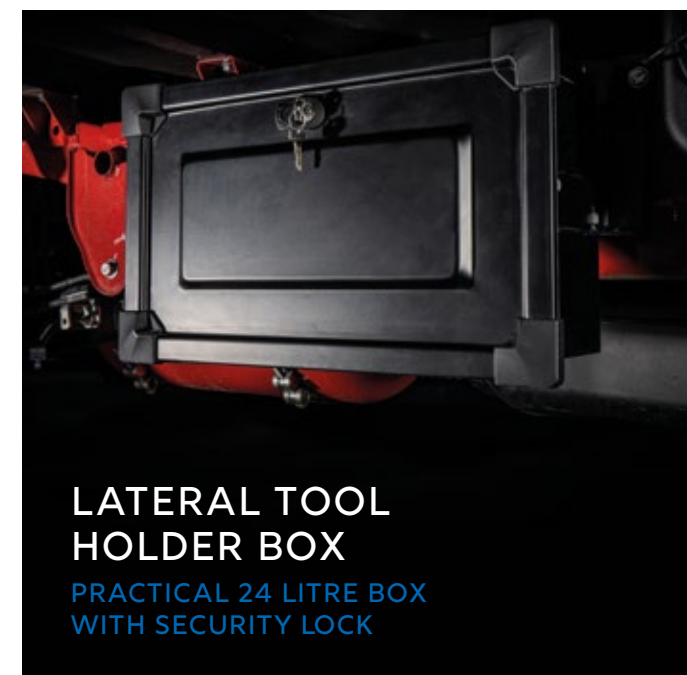
REAR LADDER HOLDER

FOR SECURING LONG LOADS SAFELY



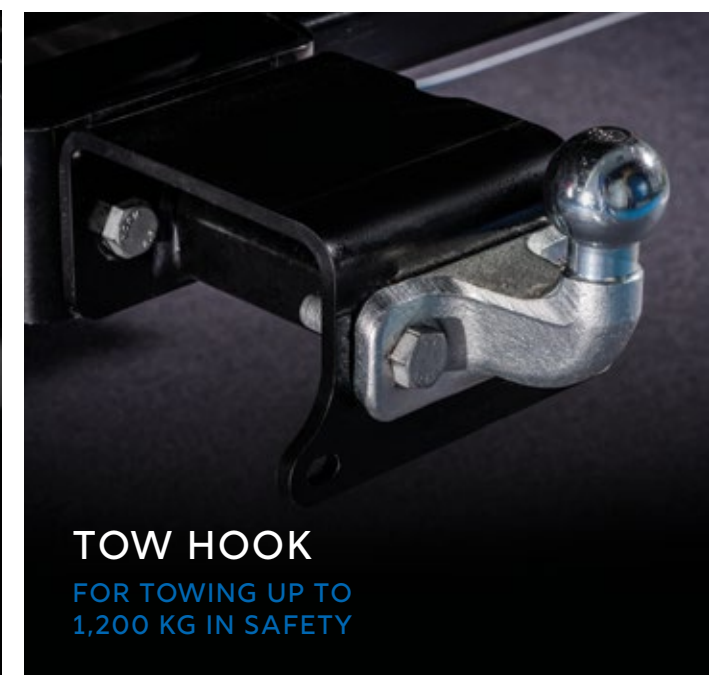
CAB PROTECTOR⁽¹⁾ AND ANCHOR APPENDAGES

FOR INCREASED CAB PROTECTION AND SECURING CARGO AND TOOLS



LATERAL TOOL HOLDER BOX

PRACTICAL 24 LITRE BOX WITH SECURITY LOCK



TOW HOOK

FOR TOWING UP TO 1,200 KG IN SAFETY

(1) Cab protector included as standard on Tipper Bed version



PORTER
PIAGGIO NPS

THE CITY TRUCK IS BORN





WHY CHOOSE ORIGINAL PIAGGIO SPARE PARTS?

FOR PERFORMANCE

To protect your vehicle and keep it in perfect working order for longer, ensuring both safety and performance.

FOR QUALITY

Original spare parts meet Piaggio quality standards and are manufactured to keep you working effectively and safely.

FOR LOGISTICS

24h delivery of spare parts for components which may keep the vehicle out of action. Tracking from Piaggio warehouse to destination. Real-time visibility of virtual spare part stocks of the Piaggio Commercial dealer and service network.

FOR EFFICIENCY

Our network uses the latest generation electronic tools to meet the needs of the customer either on-site or remotely.

FOR COMPETITIVE PRICING

Piaggio Commercial offers a range of spare parts at more competitive prices than other brands.

BECAUSE OF THE BENEFITS OF PIAGGIO QUALITY AND SAFETY FOR YOUR WORK.

00800-81829800

CUSTOMER CARE

Piaggio Commercial Customer Care: a service dedicated to identifying your desires and gathering your opinions.

800-700616

ROADSIDE RECOVERY SERVICE

Piaggio Commercial Roadside Recovery Service: a dedicated service that's always there when you need it, 24 hours a day.



Working with a Piaggio Commercial Vehicle is now even easier than ever thanks to Piaggio Financial Services, the new Piaggio Group platform created to offer the most innovative financial solutions.

www.piaggiofinancialservices.com

The company reserves the right to make technical and aesthetic changes at any time. Only original Piaggio spare parts offer a guarantee of quality and ensure that your vehicle continues to function as intended by the manufacturer.



The Piaggio brand



is the property of Piaggio & C SpA

commercial.piaggio.com

COMPANY WITH
QUALITY SYSTEM
CERTIFIED BY DNV
= ISO 9001 =

COMPANY WITH
ENVIRONMENTAL SYSTEM
CERTIFIED BY DNV
= ISO 14001 =

COMPANY WITH
SAFETY SYSTEM
CERTIFIED BY DNV
= OHSAS 18001 =

2 YEAR'S
guarantee

2 YEAR'S
roadside assistance

as indicated in brochures

DEALER'S STAMP

PORTER

PIAGGIO NP6



commercial.piaggio.com