

# HC-2020R

Serial number: 38000001-38999999

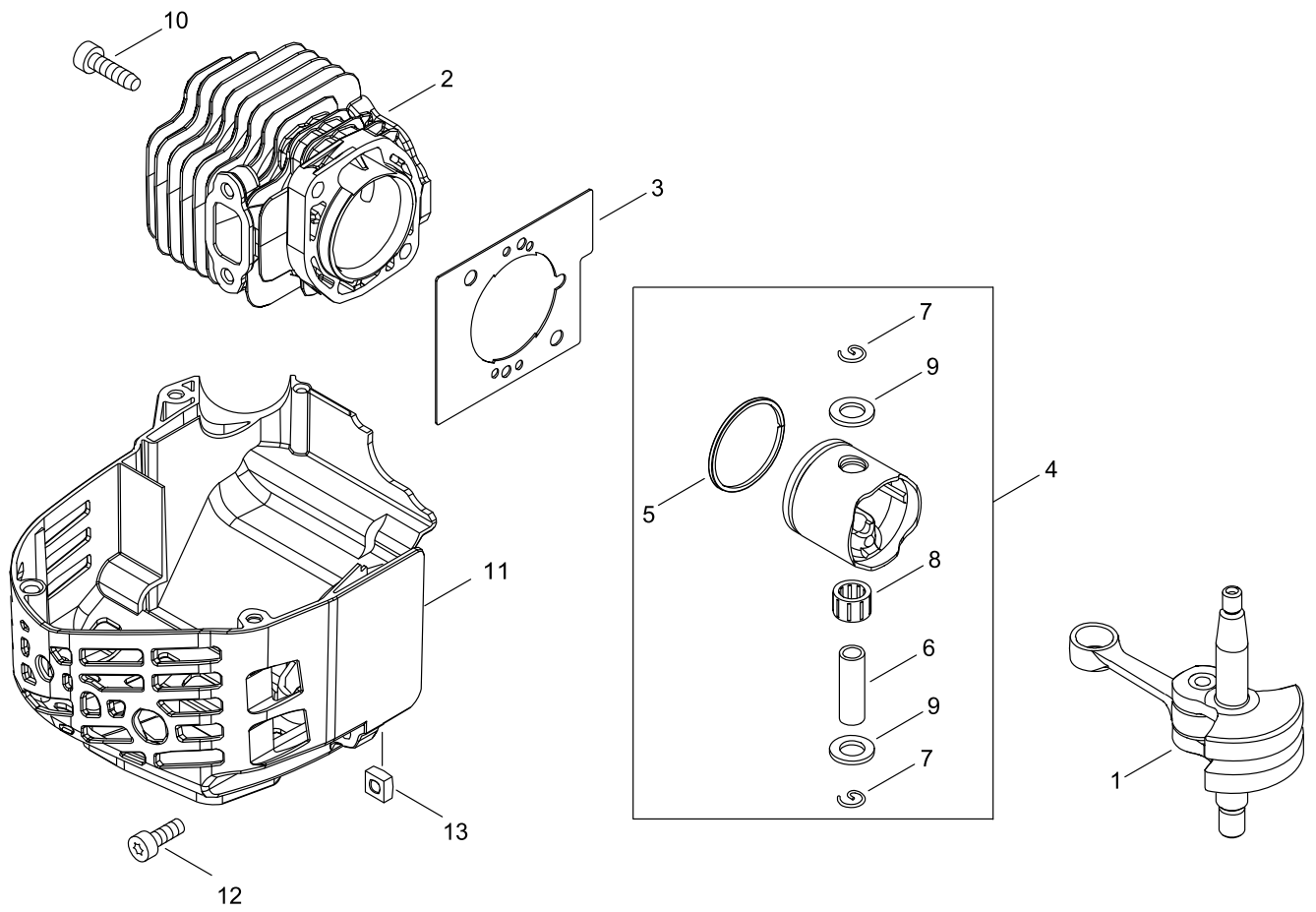
Last update date: 01/28/2020

## TABLE OF CONTENTS

---

CYLINDER, PISTON, CRANKSHAFT.....	1
CRANKCASE .....	3
MAGNETO.....	5
AIR CLEANER, CARBURETOR.....	7
CARBURETOR.....	9
FUEL TANK.....	11
MUFFLER .....	13
RECOIL STARTER.....	15
GEAR CASE.....	17
CUTTING BLADE.....	19
HANDLE.....	21
ACCESSORIES .....	23

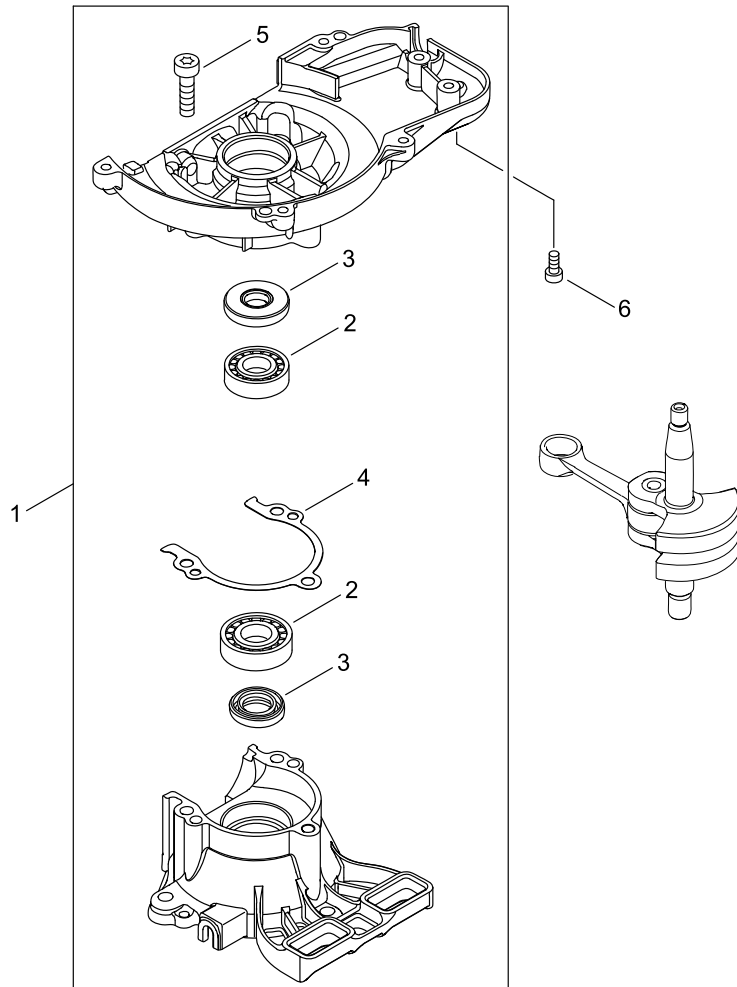
# CYLINDER, PISTON, CRANKSHAFT



## CYLINDER, PISTON, CRANKSHAFT

Key No.	LV (+)	Part No	Description	Qty	Standard
1		A011-001550	CRANKSHAFT,ASY	1	
2		A130-001960	CYLINDER	1	
3		V100-000720	GASKET,CYL	1	
4		P021-007772	PISTON KIT	1	
5	+	A101-000090	RING,PISTON	1	
6	+	100013-11520	PIN, PISTON	1	
7	+	100015-04630	CIRCLIP, PISTON PIN	2	
8	+	100113-05930	BEARING, NEEDLE	1	8*12*8
9	+	100014-08960	SPACER, PISTON PIN	2	
10		V805-000210	BOLT, TORX 5	2	TB-5*20 12.9
11		A160-003580	COVER,CYLINDER	1	HC-2020
12		V805-000150	BOLT, TORX 5	1	TB-5*16 10.9
13		900565-00005	NUT, SQUARE	1	5

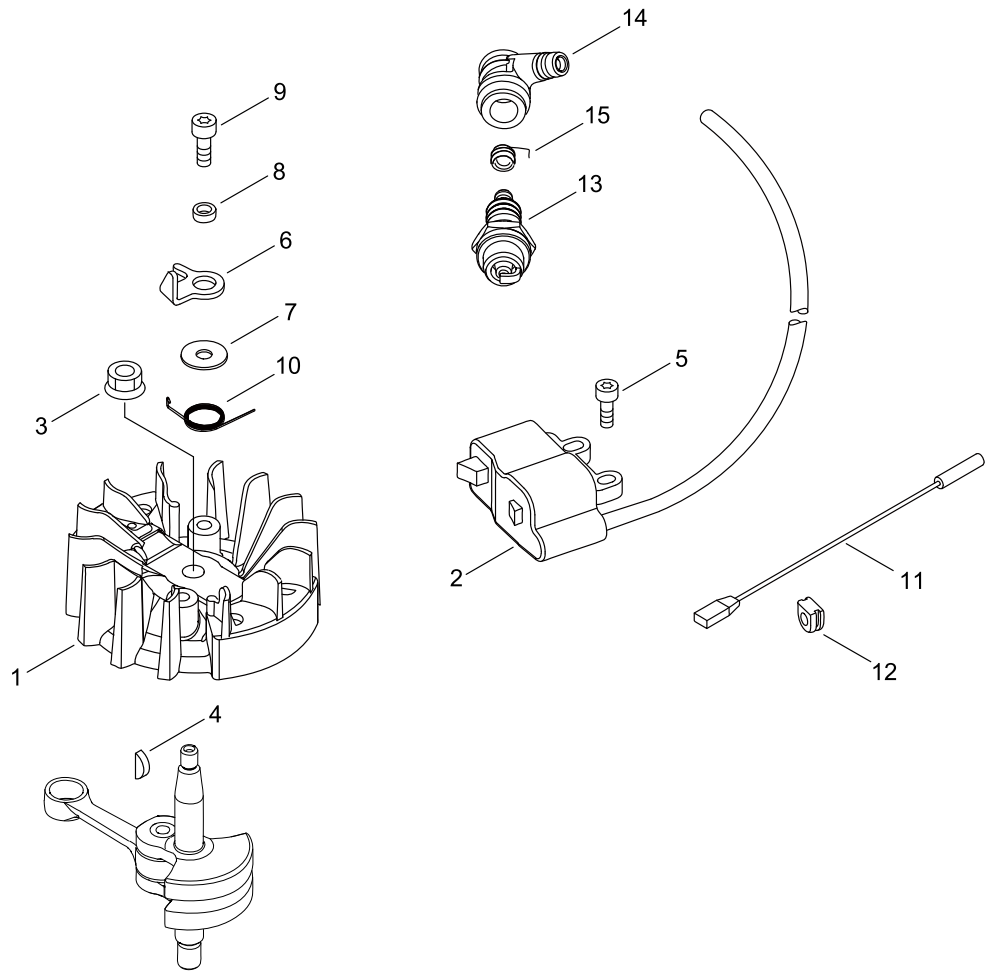
# CRANKCASE



CRANKCASE

Key No.	LV (+)	Part No	Description	Qty	Standard
1		P100-006080	CRANKCASE SET	1	
2	+	900810-36000	BEARING, BALL	2	6000
3	+	100212-61830	OILSEAL	2	ISCD 10*20*5
4	+	V102-000240	GASKET,CRANKCASE	1	
5	+	V805-000220	BOLT, TORX 5	3	TB-5*25 12.9
6		V804-000040	BOLT, TORX 4	1	TB-4*10 10.9

# MAGNETO

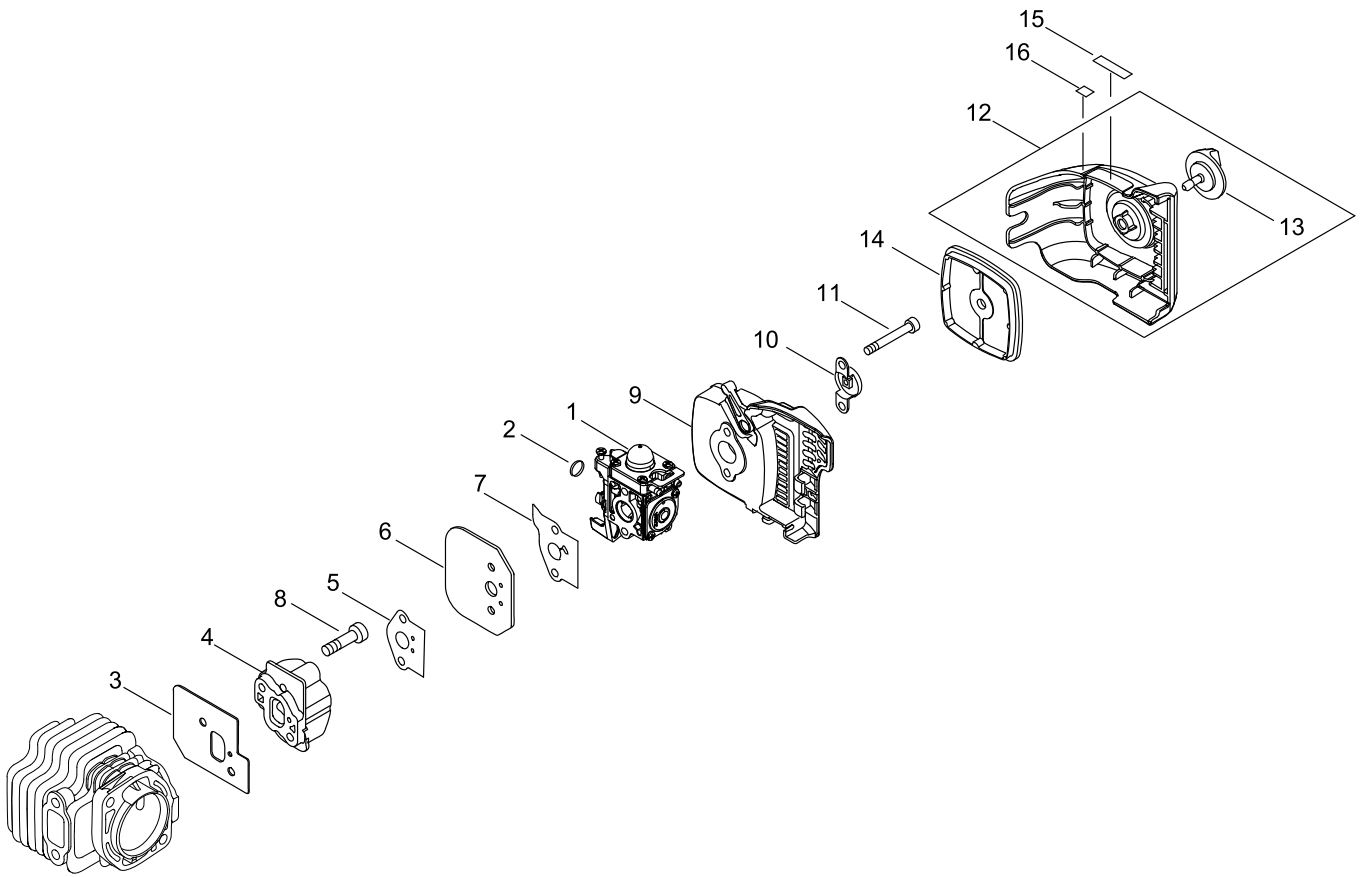


## MAGNETO

Key No.	LV (+)	Part No	Description	Qty	Standard
1		A409-001360	ROTOR, MAGNETO	1	ID R10011
2		A411-001810	COIL, IGNITION	1	L200+10
3		92105-06000	NUT L, FLANGE	1	6
4		100142-12330	KEY, WOODRUFF	1	
5		V804-000060	BOLT, TORX 4	2	TB-4*16 10.9
6		A514-000260	PAWL	2	
7		131911-03460	WASHER	2	
8		178070-10860	SPACER	2	
9		V805-000150	BOLT, TORX 5	2	TB-5*16 10.9
10		V452-001370	SPRING,TORSION	2	
11		V485-001220	LEAD	1	L:85
12		V135-000150	GROMMET,HT CORD	1	
13		A425-000000	SPARKPLUG	1	BPMR8Y
14		A427-000013	CAP,SPARK PLUG	1	
15		A426-000010	TERMINAL,SPARKPLUG	1	



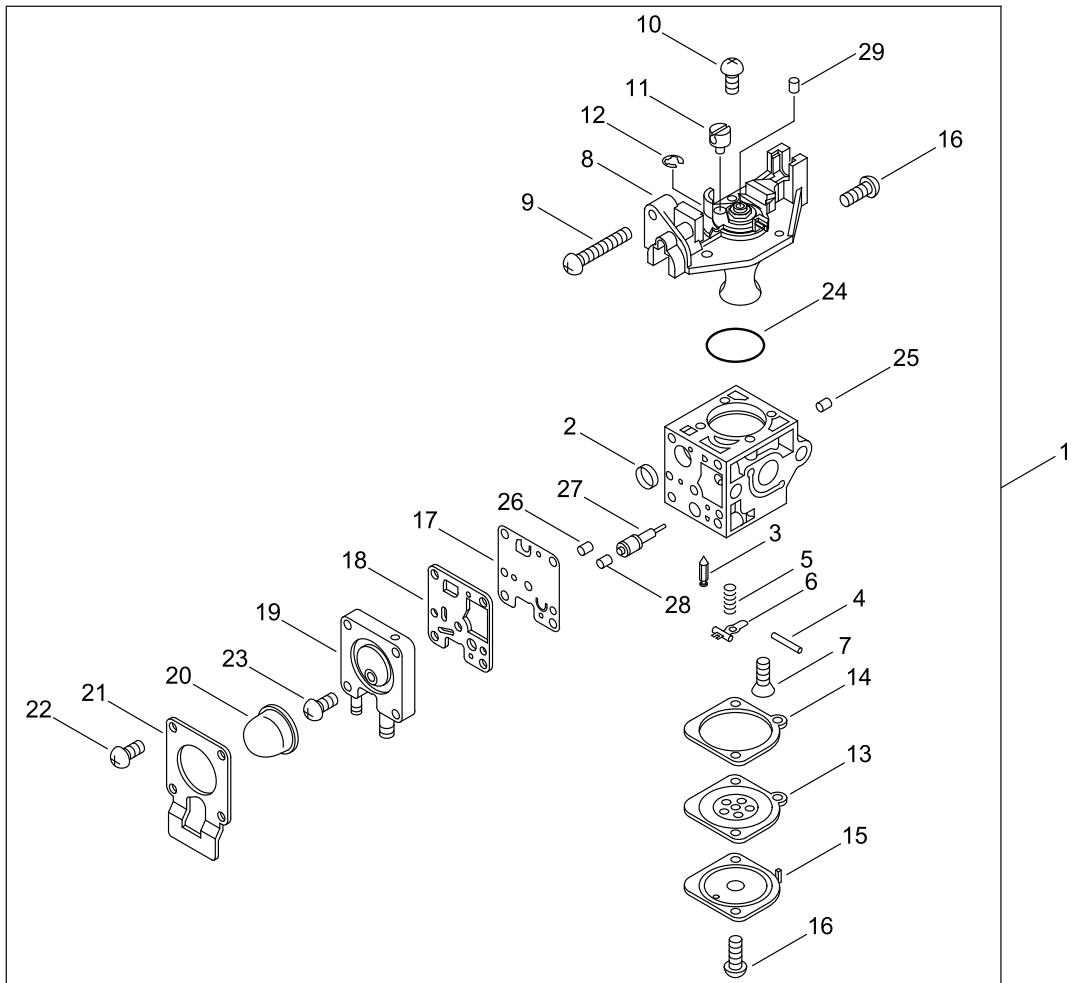
# AIR CLEANER, CARBURETOR



## AIR CLEANER, CARBURETOR

Key No.	LV (+)	Part No	Description	Qty	Standard
1		A021-004900	CARBURETOR, DIAPHRAGM	1	ID:YZ0008
2		V490-001100	CLIP	1	
3		V103-002030	GASKET,INTAKE	1	T1.0
4		A200-001200	INSULATOR, INTAKE	1	
5		V103-002020	GASKET,INTAKE	1	
6		A209-000610	PLATE, INSULATOR	1	
7		V103-001740	GASKET,INTAKE	1	
8		V805-000170	BOLT, TORX 5	2	TB-5*25 10.9
9		P021-049871	CASE,CLEANER	1	
10		A244-000070	PLATE,PREVENT	1	
11		V805-000100	BOLT, TORX 5	2	TB-5*65 10.9
12		P021-049130	CLEANER COVER ASY	1	
13	+	V299-000610	KNOB,FASTENER	1	
14		A226-001410	ELEMENT,AIR FILTER	1	
15		890332-52730	LABEL, CHOKE	1	
16		X524-001901	LABEL	1	

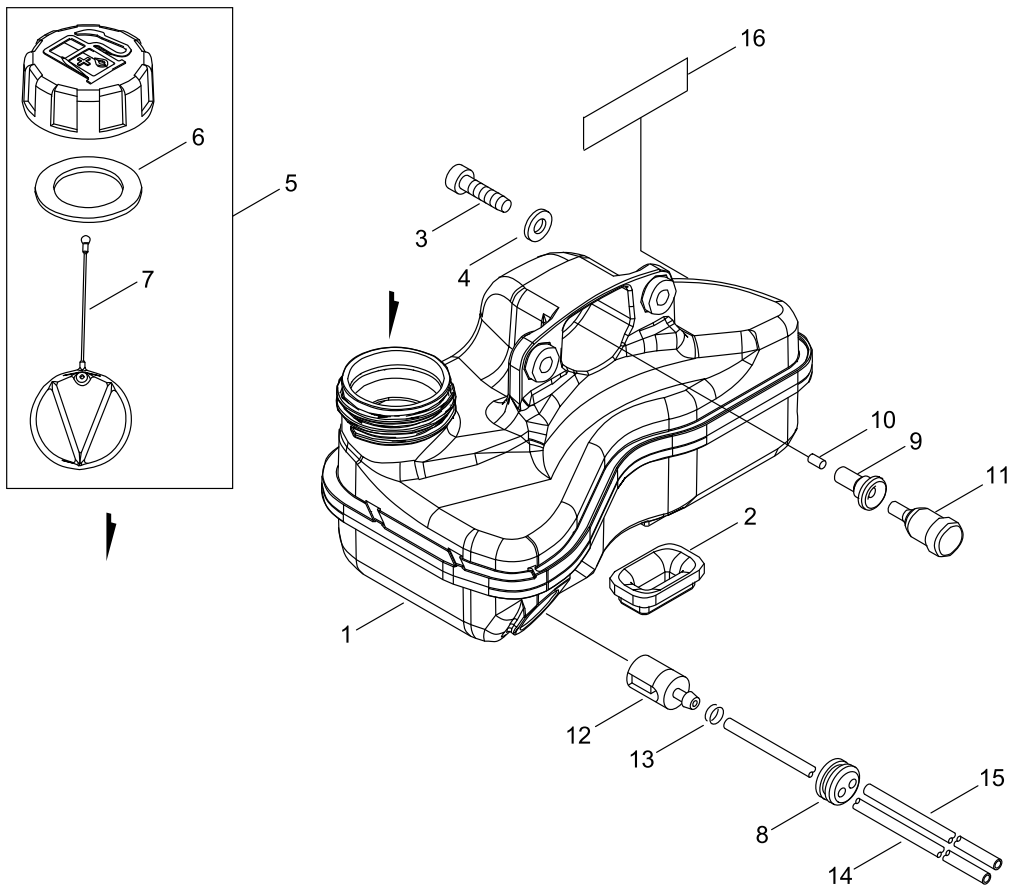
# CARBURETOR



## CARBURETOR

Key No.	LV (+)	Part No	Description	Qty	Standard
1		A021-004900	CARBURETOR, DIAPHRAGM	1	ID:YZ0008
2	+	P005-000010	STRAINER	1	
3	+	125337-08260	VALVE, INLET NEEDLE	1	
4	+	125338-13930	PIN, METERING ARM	1	
5	+	P005-000940	SPRING, METER. LEVER	1	
6	+	125323-08260	ARM, VALVE	1	
7	+	125339-42030	SCREW	1	
8	+	P005-002050	COVER ASY, ROTOR	1	
9	+	P005-000100	SCREW, THROTTLEADJUST	1	
10	+	125344-13931	SCREW	3	
11	+	P005-002200	POST	1	
12	+	P005-000190	E-RING	1	
13	+	P005-003760	DIAPHRAGM ,METERING	1	
14	+	P005-000200	GASKET, METERING	1	
15	+	125342-52130	COVER, DIAPHRAGM	1	
16	+	125344-52130	SCREW	3	
17	+	P005-000510	DIAPHRAGM, PUMP	1	
18	+	P005-000520	GASKET, PUMP	1	
19	+	P005-004240	BASE, ASY PRIMER	1	
20	+	P005-003110	PUMP, PRIMER	1	
21	+	P005-000250	RETAINER	1	
22	+	P005-001900	SCREW	4	
23	+	P005-000270	SCREW	1	
24	+	P005-004260	RING,O	1	
25	+	P005-001000	ROLLER, GUIDE	1	
26	+	P005-001250	RETAINER,PLUG BALL	1	
27	+	P005-001260	SCREW,MAINN MIXTURE	1	
28	+	P005-001270	PLUG, AJUST SCREW	1	
29	+	A259-000010	CAP,LIMITER	1	

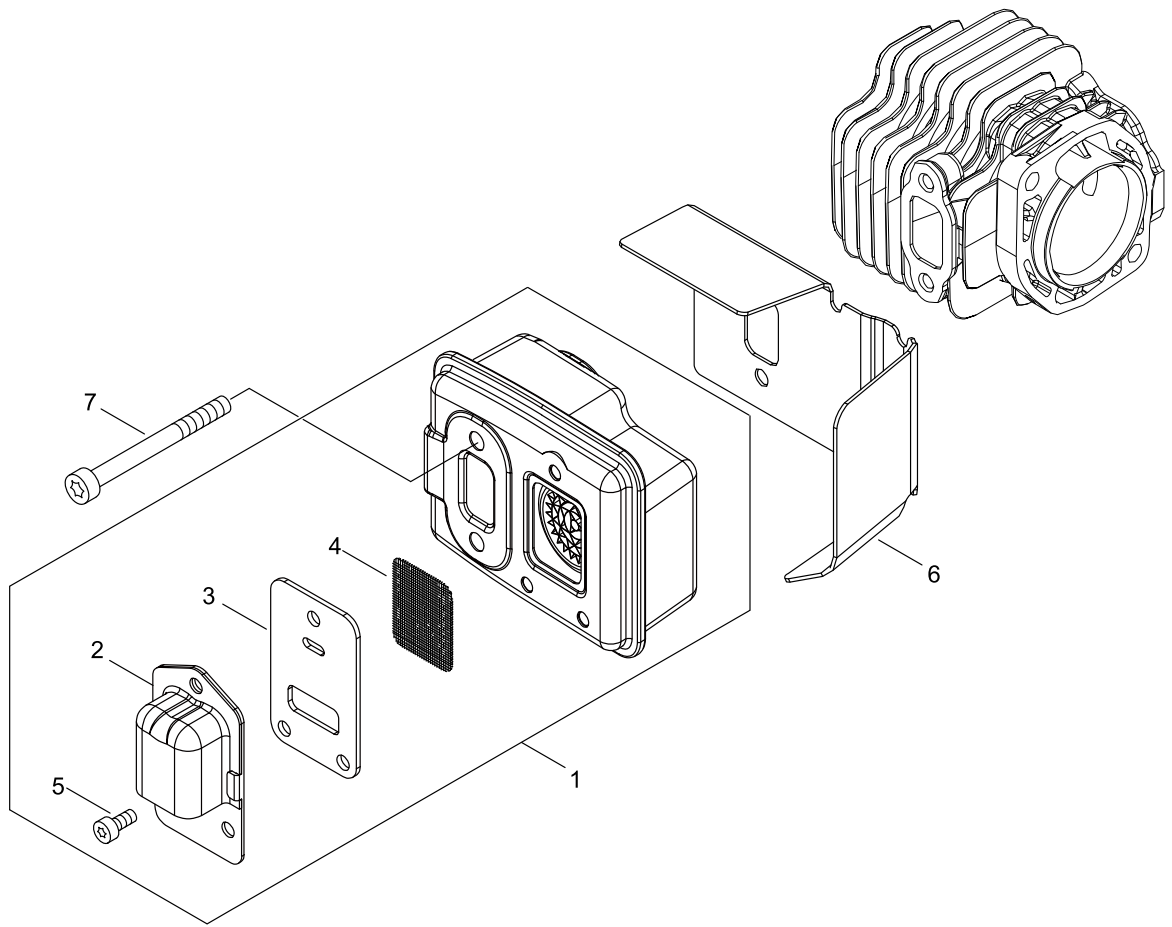
# FUEL TANK



## FUEL TANK

Key No.	LV (+)	Part No	Description	Qty	Standard
1		A350-002520	TANK, FUEL	1	
2		V420-004490	CUSHION	2	
3		V805-000160	BOLT, TORX 5	2	TB-5*20 10.9
4		900603-00005	WASHER	2	5
5		P100-006051	FUEL CAP ASY	1	
6	+	V107-000190	GASKET,FUEL CAP	1	37.9*T2.2
7	+	A365-000050	CONNECTOR,CAP	1	
8		132115-44331	GROMMET, FUEL	1	
9		V137-000150	GROMMET,FUEL	1	
10		131314-35430	VALVE, CHECK	1	
11		A356-000031	VALVE,CHECK	1	
12		A369-000480	STRAINER, FUEL	1	125-959
13		V490-001240	CLIP	1	
14		V471-005540	PIPE	1	3*5*210
15		132010-56330	PIPE 3*6*90	1	3*6*90 YL
16		X532-005650	LABEL,OPERATION	1	

# MUFFLER

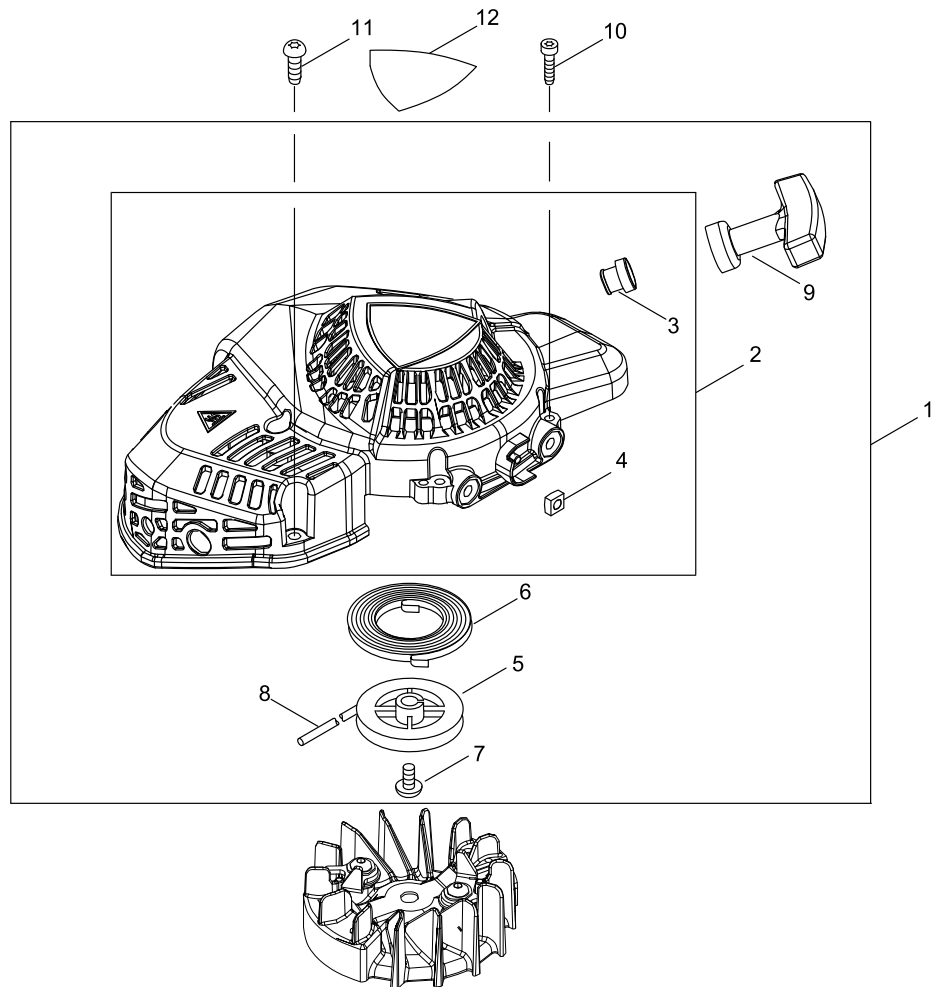


MUFFLER

Key No.	LV (+)	Part No	Description	Qty	Standard
1		P100-009110	MUFFLER ASY	1	
2	+	A313-002120	GUIDE, EXHAUST	1	ID#2920
3	+	V104-002530	GASKET,EXHAUST	1	T:1.5
4	+	145862-40630	SCREEN, MUFFLER	1	
5	+	V804-000030	BOLT, TORX 4	3	TB-4*8 10.9
6		V104-002190	GASKET,EXHAUST	1	
7		V805-000190	BOLT, TORX 5	2	TB-5*55 12.9



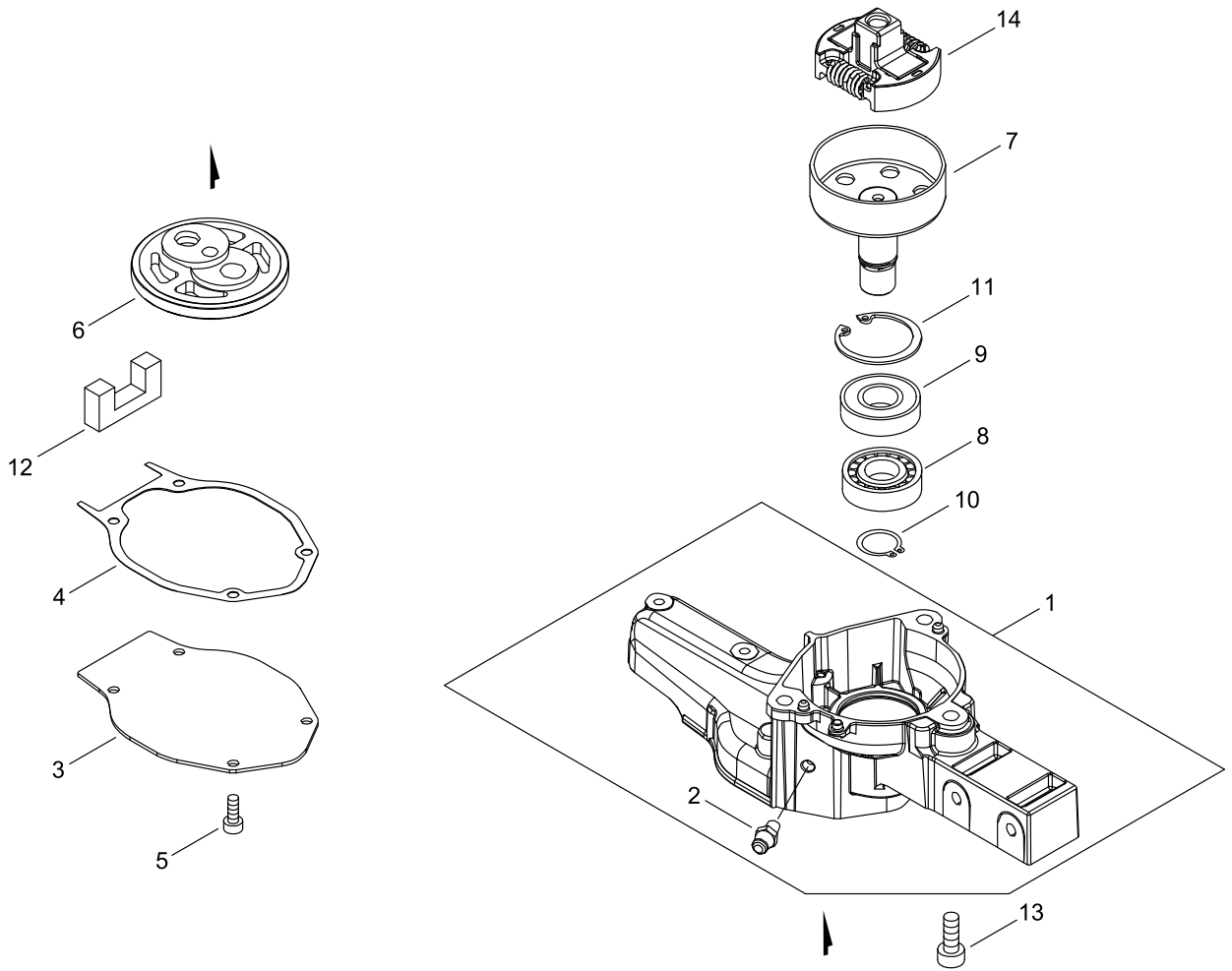
# RECOIL STARTER



RECOIL STARTER

Key No.	LV (+)	Part No	Description	Qty	Standard
1		A051-003390	STARTER,RECOIL ASY	1	
2	+	P022-051640	CASE, STARTER	1	
3	++	P022-045770	GUIDE, ROPE	1	
4	++	P022-022010	NUT	2	
5	+	P022-051650	DRUM, STARTER	1	
6	+	P022-019680	SPRING, SPIRAL	1	
7	+	177236-44330	SCREW	1	
8	+	P022-039290	ROPE, STARTER	1	
9	+	P022-051660	GRIP, STARTER	1	
10		V804-000060	BOLT, TORX 4	4	TB-4*16 10.9
11		V805-000000	BOLT, TORX 5	2	TT-5*16 DG 10.9
12		X502-001200	LABEL,ECHO	1	EHCO+ HC-2020R

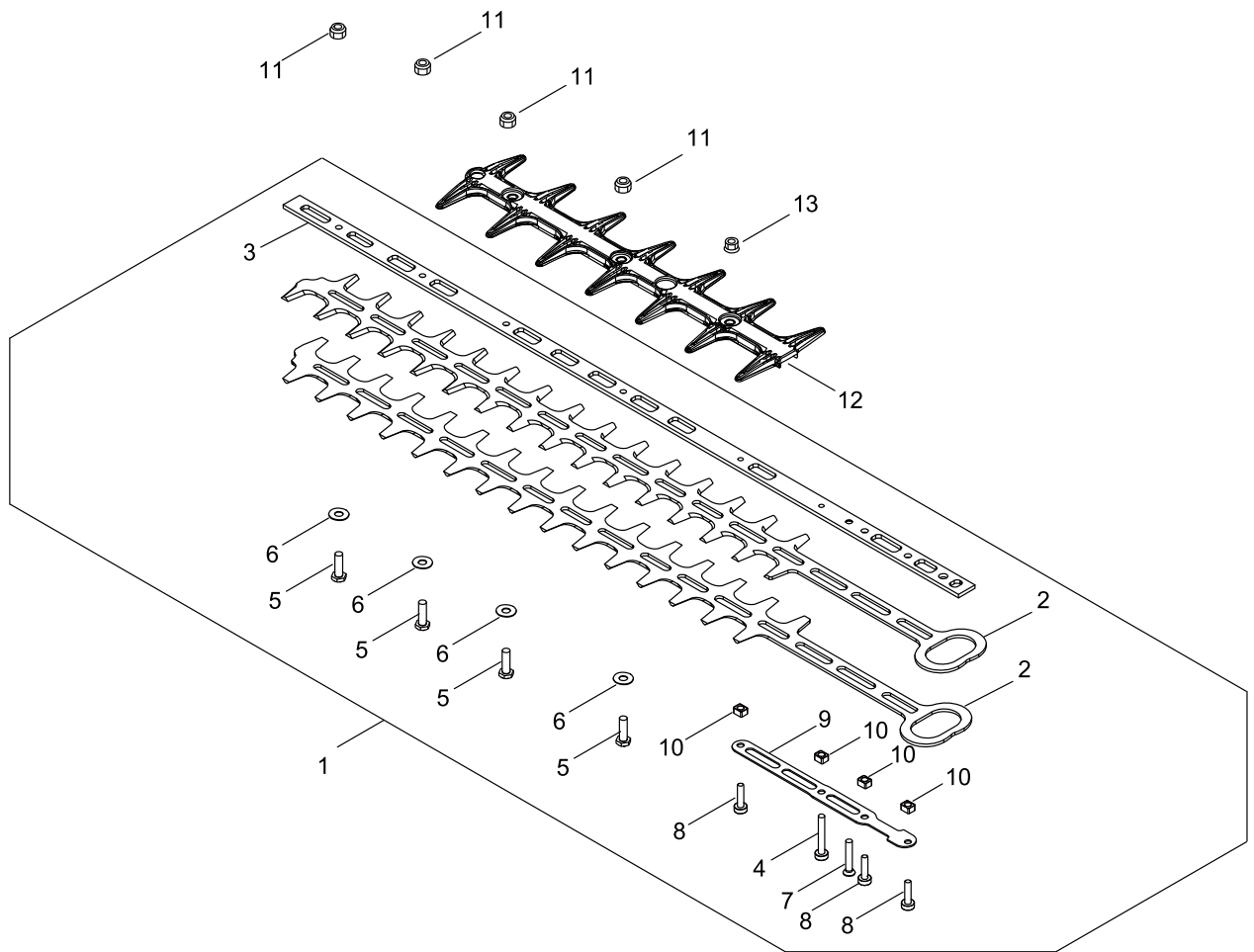
# GEAR CASE



## GEAR CASE

Key No.	LV (+)	Part No	Description	Qty	Standard
1		P100-006070	CASE,GEAR ASY	1	
2	+	880110-54230	NIPPLE, GREASE	1	
3		C539-000190	LID,GEARCASE	1	T1.6
4		V110-000230	GASKET,GEAR CASE	1	T0.3
5		V804-000050	BOLT, TORX 4	4	TB-4*12 10.9
6		V650-000740	GEAR,SPUR	1	
7		A556-001840	DRUM, CLUTCH	1	50 T1.4
8		900800-06002	BEARING, BALL	1	6002
9		900802-06002	BEARING, BALL	1	6002LLU(DDU)
10		900701-00014	RETAINING RING, EXTERNAL	1	CS-14
11		900702-00032	RETAINING RING, INTERNAL	1	CR-32
12		V541-000750	SEAL	1	
13		V806-000130	BOLT, TORX 6	3	TB-6*16 ALL 10.9
14		A056-000790	CLUTCH ASY	1	

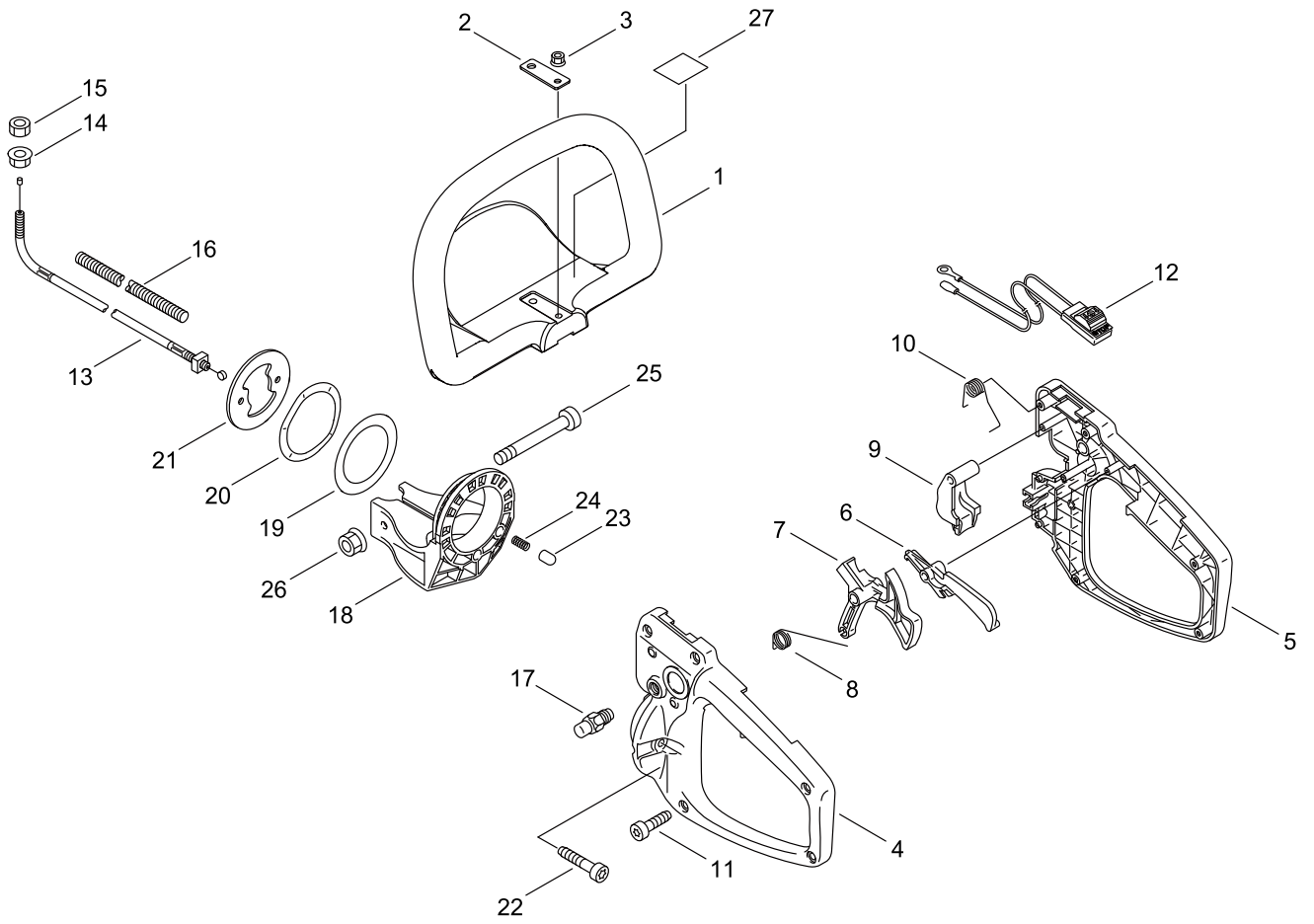
# CUTTING BLADE



CUTTING BLADE

Key No.	LV (+)	Part No	Description	Qty	Standard
1		P100-008710	CUTTER SET	1	
2	+	X412-000850	CUTTER	2	
3	+	X425-001150	SUPPORT,CUTTER	1	
4	+	V805-000370	BOLT, TORX 5	1	TB-5*35 ALL 12.9
5	+	V204-000570	BOLT	4	
6	+	699118-04560	WASHER	4	
7	+	900212-05030	SCREW	1	5*30
8	+	V805-000210	BOLT, TORX 5	3	TB-5*20 12.9
9	+	V150-004720	PLATE,EYE	1	T:1.2
10	+	V353-000250	COLLAR	4	9*7.45*5.3
11		433022-06460	NUT	4	
12		X431-000200	BLUNT	1	
13		92108-05000	NUT, FLANGE	1	5

# HANDLE

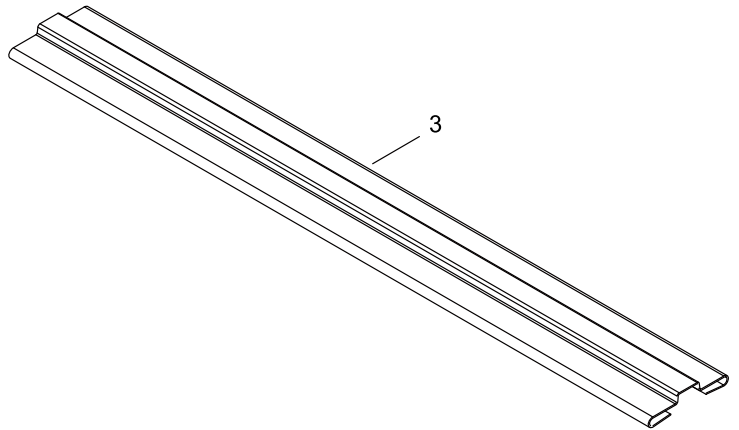
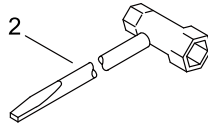
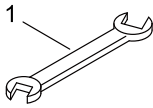


## HANDLE

Key No.	LV (+)	Part No	Description	Qty	Standard
1		C400-000533	HANDLE, FRONT	1	
2		351611-05360	WASHER	1	
3		92108-05000	NUT, FLANGE	2	5
4		351010-13361	HANDLE, REAR	1	
5		351210-13361	HANDLE	1	
6		178012-13360	LOCKOUT, THROTTLE	1	
7		178010-13361	TRIGGER, THROTTLE	1	
8		178013-13660	SPRING, TORSION	1	
9		351648-13360	STOPPER, HANDLE	1	
10		178043-13660	SPRING,TORSION	1	
11		V804-000010	BOLT, TORX 4	5	TT-4*16 DG 10.9
12		A440-003460	SWITCH, ON OFF	1	
13		V430-004680	CABLE,BOWDEN	1	
14		900515-00006	NUT, FLANGE	1	6
15		900502-00006	NUT	1	6
16		V475-007040	TUBE	1	7*210
17		P100-007520	LATCH ASY	1	
18		351312-13361	BRACKET, HANDLE	1	
19		689025-13361	WASHER,CIRCUAR	1	
20		178129-13361	WASHER	1	
21		351313-13361	BRACKET, HANDLE	1	
22		V805-000050	BOLT, TORX 5	2	TB-5*30 10.9
23		605611-13360	PIN	2	
24		178043-13360	SPRING	2	
25		V805-000280	BOLT, TORX 5	2	TB-5*45 10.9
26		92108-05000	NUT, FLANGE	2	5
27		X505-002030	LABEL,CAUTION	1	37*35



# ACCESSORIES



ACCESSORIES

Key No.	LV (+)	Part No	Description	Qty	Standard
1		895112-00330	SPANNER 8*10	1	
2		895410-03930	WRENCH, W/S. DRIVER	1	
3		X495-000630	SCABBARD, BLADE	1	L585

# NUMERICAL PARTS INDEX

Part No	Part description	Page	Part No	Part description	Page	Part No	Part description	Page
100013-11520	PIN, PISTON	2	900701-00014	RETAINING RING, EXTERNAL	18	P005-000520	GASKET, PUMP	10
100014-08960	SPACER, PISTON PIN	2	900702-00032	RETAINING RING, INTERNAL	18	P005-000940	SPRING, METER. LEVER	10
100015-04630	CIRCLIP, PISTON PIN	2				P005-001000	ROLLER, GUIDE	10
100113-05930	BEARING, NEEDLE	2	900800-06002	BEARING, BALL	18	P005-001250	RETAINER,PLUG BALL	10
100142-12330	KEY, WOODRUFF	6	900802-06002	BEARING, BALL	18	P005-001260	SCREW,MAINN MIXTURE	10
100212-61830	OILSEAL	4	900810-36000	BEARING, BALL	4	P005-001270	PLUG, AJUST SCREW	10
125323-08260	ARM, VALVE	10	92105-06000	NUT L, FLANGE	6	P005-001900	SCREW	10
125337-08260	VALVE, INLET NEEDLE	10	92108-05000	NUT, FLANGE	20	P005-002050	COVER ASY, ROTOR	10
125338-13930	PIN, METERING ARM	10	92108-05000	NUT, FLANGE	22	P005-002200	POST	10
125339-42030	SCREW	10	A011-001550	CRANKSHAFT,ASY	2	P005-003110	PUMP, PRIMER	10
125342-52130	COVER, DIAPHRAGM	10	A021-004900	CARBURETOR, DIAPHRAGM	8	P005-003760	DIAPHRAGM ,METERING	10
125344-13931	SCREW	10				P005-004240	BASE, ASY PRIMER	10
125344-52130	SCREW	10	A021-004900	CARBURETOR, DIAPHRAGM	10	P005-004260	RING,O	10
131314-35430	VALVE, CHECK	12	A051-003390	STARTER,RECOIL ASY	16	P021-007772	PISTON KIT	2
131911-03460	WASHER	6	A056-000790	CLUTCH ASY	18	P021-049130	CLEANER COVER ASY	8
132010-56330	PIPE 3*6*90	12	A101-000090	RING,PISTON	2	P021-049871	CASE,CLEANER	8
132115-44331	GROMMET, FUEL	12	A130-001960	CYLINDER	2	P022-019680	SPRING, SPIRAL	16
145862-40630	SCREEN, MUFFLER	14	A160-003580	COVER,CYLINDER	2	P022-022010	NUT	16
177236-44330	SCREW	16	A200-001200	INSULATOR, INTAKE	8	P022-039290	ROPE, STARTER	16
178010-13361	TRIGGER, THROTTLE	22	A209-000610	PLATE, INSULATOR	8	P022-045770	GUIDE, ROPE	16
178012-13360	LOCKOUT, THROTTLE	22	A226-001410	ELEMENT,AIR FILTER	8	P022-051640	CASE, STARTER	16
178013-13660	SPRING, TORSION	22	A244-000070	PLATE,PREVENT	8	P022-051650	DRUM, STARTER	16
178043-13360	SPRING	22	A259-000010	CAP,LIMITER	10	P022-051660	GRIP, STARTER	16
178043-13660	SPRING,TORSION	22	A313-002120	GUIDE, EXHAUST	14	P100-006051	FUEL CAP ASY	12
178070-10860	SPACER	6	A350-002520	TANK, FUEL	12	P100-006070	CASE,GEAR ASY	18
178129-13361	WASHER	22	A356-000031	VALVE,CHECK	12	P100-006080	CRANKCASE SET	4
351010-13361	HANDLE, REAR	22	A365-000050	CONNECTOR,CAP	12	P100-007520	LATCH ASY	22
351210-13361	HANDLE	22	A369-000480	STRAINER, FUEL	12	P100-008710	CUTTER SET	20
351312-13361	BRACKET, HANDLE	22	A409-001360	ROTOR, MAGNETO	6	P100-009110	MUFFLER ASY	14
351313-13361	BRACKET, HANDLE	22	A411-001810	COIL, IGNITION	6	V100-000720	GASKET,CYL	2
351611-05360	WASHER	22	A425-000000	SPARKPLUG	6	V102-000240	GASKET,CRANKCASE	4
351648-13360	STOPPER, HANDLE	22	A426-000010	TERMINAL,SPARKPLUG	6	V103-001740	GASKET,INTAKE	8
433022-06460	NUT	20	A427-000013	CAP,SPARK PLUG	6	V103-002020	GASKET,INTAKE	8
605611-13360	PIN	22	A440-003460	SWITCH, ON OFF	22	V103-002030	GASKET,INTAKE	8
689025-13361	WASHER,CIRCUAR	22	A514-000260	PAWL	6	V104-002190	GASKET,EXHAUST	14
699118-04560	WASHER	20	A556-001840	DRUM, CLUTCH	18	V104-002530	GASKET,EXHAUST	14
880110-54230	NIPPLE, GREASE	18	C400-000533	HANDLE, FRONT	22	V107-000190	GASKET,FUEL CAP	12
890332-52730	LABEL, CHOKE	8	C539-000190	LID,GEARCASE	18	V110-000230	GASKET,GEAR CASE	18
895112-00330	SPANNER 8*10	24	P005-000010	STRAINER	10	V135-000150	GROMMET,HT CORD	6
895410-03930	WRENCH, W/S. DRIVER	24	P005-000100	SCREW, THROTTLEADJUST	10	V137-000150	GROMMET,FUEL	12
900212-05030	SCREW	20		V150-004720		PLATE,EYE	20	
900502-00006	NUT	22	P005-000190	E-RING	10	V204-000570	BOLT	20
900515-00006	NUT, FLANGE	22	P005-000200	GASKET, METERING	10	V299-000610	KNOB,FASTENER	8
900565-00005	NUT, SQUARE	2	P005-000250	RETAINER	10	V353-000250	COLLAR	20
900603-00005	WASHER	12	P005-000270	SCREW	10	V420-004490	CUSHION	12
			P005-000510	DIAPHRAGM, PUMP	10			

# NUMERICAL PARTS INDEX

Part No	Part description	Page
V430-004680	CABLE,BOWDEN	22
V452-001370	SPRING,TORSION	6
V471-005540	PIPE	12
V475-007040	TUBE	22
V485-001220	LEAD	6
V490-001100	CLIP	8
V490-001240	CLIP	12
V541-000750	SEAL	18
V650-000740	GEAR,SPUR	18
V804-000010	BOLT, TORX 4	22
V804-000030	BOLT, TORX 4	14
V804-000040	BOLT, TORX 4	4
V804-000050	BOLT, TORX 4	18
V804-000060	BOLT, TORX 4	6
V804-000060	BOLT, TORX 4	16
V805-000000	BOLT, TORX 5	16
V805-000050	BOLT, TORX 5	22
V805-000100	BOLT, TORX 5	8
V805-000150	BOLT, TORX 5	2
V805-000150	BOLT, TORX 5	6
V805-000160	BOLT, TORX 5	12
V805-000170	BOLT, TORX 5	8
V805-000190	BOLT, TORX 5	14
V805-000210	BOLT, TORX 5	2
V805-000210	BOLT, TORX 5	20
V805-000220	BOLT, TORX 5	4
V805-000280	BOLT, TORX 5	22
V805-000370	BOLT, TORX 5	20
V806-000130	BOLT, TORX 6	18
X412-000850	CUTTER	20
X425-001150	SUPPORT,CUTTER	20
X431-000200	BLUNT	20
X495-000630	SCABBARD,BLADE	24
X502-001200	LABEL,ECHO	16
X505-002030	LABEL,CAUTION	22
X524-001901	LABEL	8
X532-005650	LABEL,OPERATION	12