

# SRM-420ES-LW

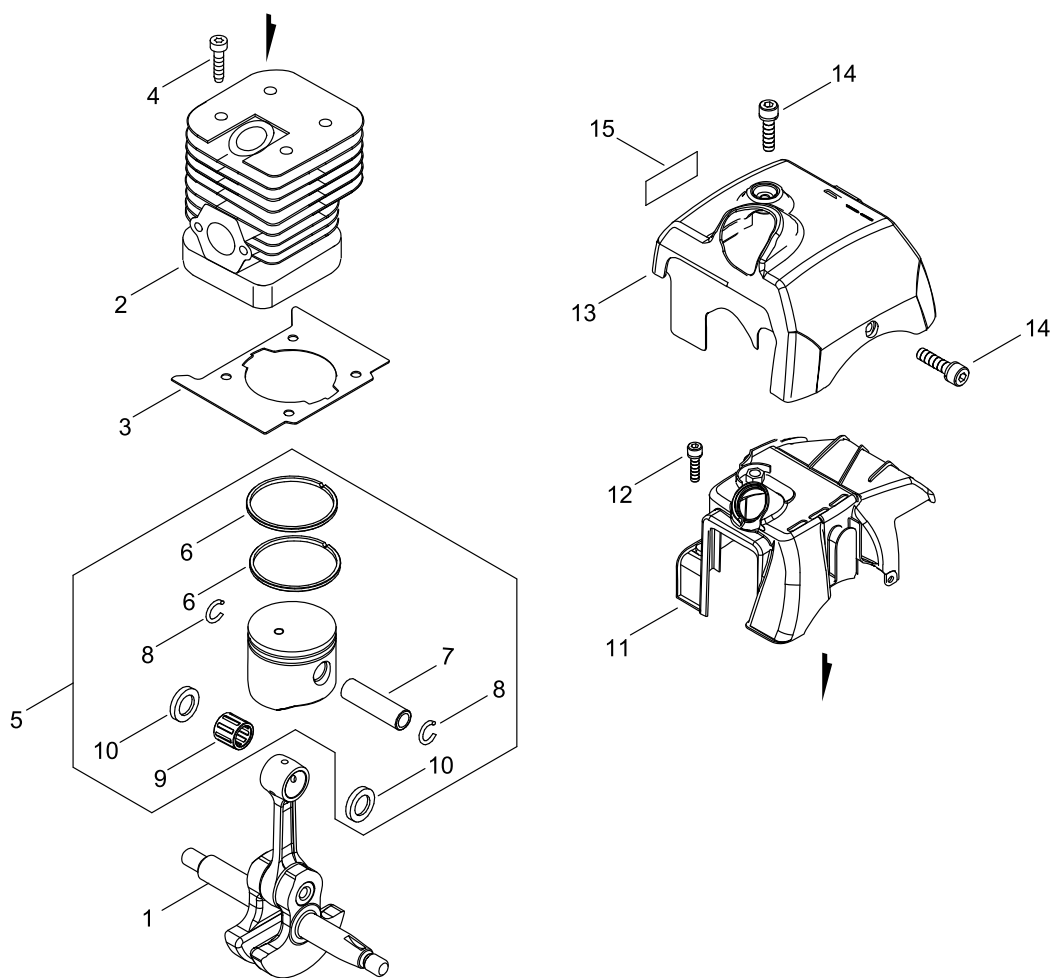
Published:03/22/2019

## TABLE OF CONTENTS

---

|                                   |    |
|-----------------------------------|----|
| CYLINDER, PISTON, CRANKSHAFT..... | 1  |
| CRANKCASE .....                   | 3  |
| MAGNETO.....                      | 5  |
| CLUTCH.....                       | 7  |
| AIR CLEANER, CARBURETOR.....      | 9  |
| CARBURETOR.....                   | 11 |
| FUEL TANK.....                    | 13 |
| MUFFLER .....                     | 15 |
| RECOIL STARTER, PULLY .....       | 17 |
| GEAR CASE, SHIELD.....            | 19 |
| MAIN PIPE, HANDLE.....            | 21 |
| THROTTLE .....                    | 23 |
| ACCESSORIES .....                 | 25 |
| NYLON LINE CUTTER.....            | 27 |

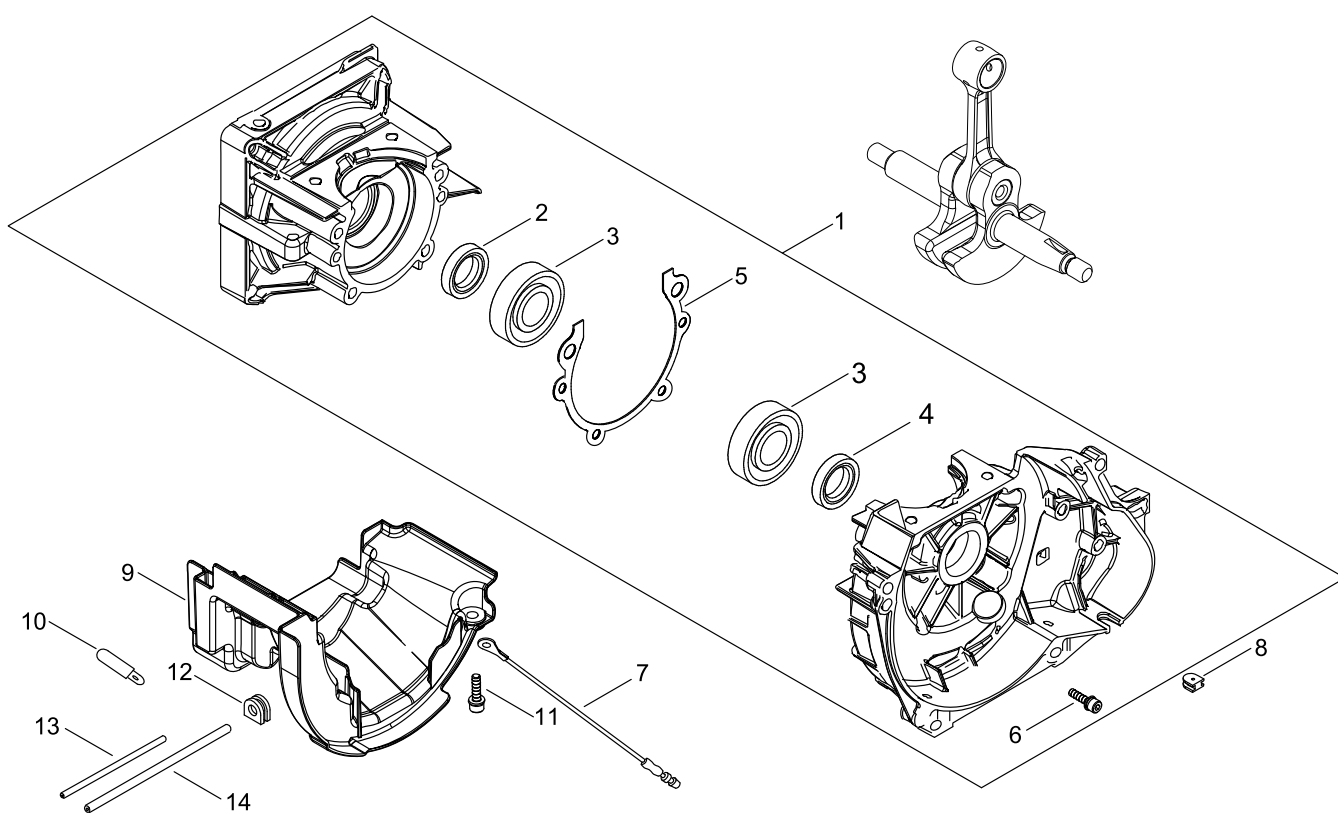
# CYLINDER, PISTON, CRANKSHAFT



## CYLINDER, PISTON, CRANKSHAFT

| KEY NO | LV(+) | Part No      | Description        | Qty | Standard          | Comment |
|--------|-------|--------------|--------------------|-----|-------------------|---------|
| 1      |       | A011-001230  | CRANKSHAFT,ASY     | 1   |                   |         |
| 2      |       | A130-002070  | CYLINDER           | 1   |                   |         |
| 3      |       | V100-000760  | GASKET,CYL         | 1   |                   |         |
| 4      |       | V805-000210  | BOLT, TORX 5       | 4   | TB-5*20 12.9      |         |
| 5      |       | P021-041390  | PISTON KIT         | 1   |                   |         |
| 6      | +     | A101-000160  | RING, PISTON       | 2   | 40*B1.5*T1.8      |         |
| 7      | +     | V608-000000  | PIN,ENG 10         | 1   |                   |         |
| 8      | +     | V580-000010  | RING,END           | 2   | 10                |         |
| 9      | +     | 100012-19830 | BEARING, NEEDLE    | 1   |                   |         |
| 10     | +     | 100014-17330 | SPACER, PISTON PIN | 2   |                   |         |
| 11     |       | A160-002620  | COVER,CYLINDER     | 1   |                   |         |
| 12     |       | V835-000000  | BOLT, TORX 5       | 1   |                   |         |
| 13     |       | A160-002631  | COVER,CYLINDER     | 1   |                   |         |
| 14     |       | V835-000000  | BOLT, TORX 5       | 2   |                   |         |
| 15     |       | X547-002290  | LABEL,ECHO         | 1   | ECHO<br>SRM-420ES |         |

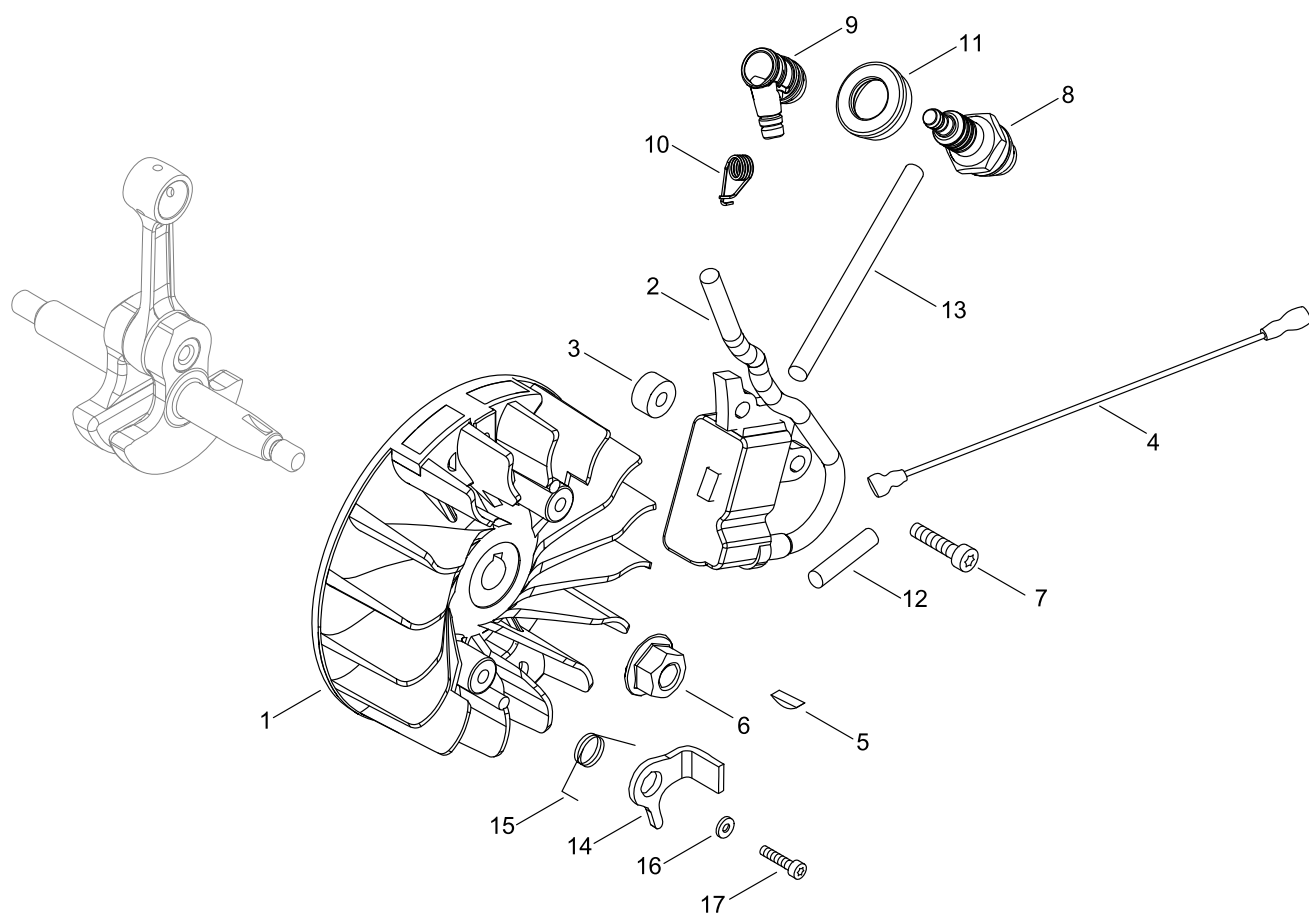
## CRANKCASE



## CRANKCASE

| KEY NO | LV(+) | Part No      | Description      | Qty | Standard     | Comment |
|--------|-------|--------------|------------------|-----|--------------|---------|
| 1      |       | P100-002630  | CRANKCASE SET    | 1   |              |         |
| 2      | +     | V505-000020  | SEAL,OIL 12      | 1   | 12*22*7      |         |
| 3      | +     | 900888-36201 | BEARING, BALL    | 2   | 6201         |         |
| 4      | +     | 100213-05530 | OILSEAL          | 1   | ISCD 12 22 7 |         |
| 5      | +     | V102-000250  | GASKET,CRANKCASE | 1   |              |         |
| 6      | +     | V805-000290  | BOLT, TORX 5     | 4   | TB-5*35 12.9 |         |
| 7      |       | V485-002570  | LEAD             | 1   |              |         |
| 8      |       | 156114-07320 | GROMMET          | 1   |              |         |
| 9      |       | A209-000740  | PLATE, INSULATOR | 1   |              |         |
| 10     |       | 159116-21231 | CLAMP            | 1   |              |         |
| 11     |       | V835-000000  | BOLT, TORX 5     | 2   |              |         |
| 12     |       | 156110-04920 | BUSHING          | 1   |              |         |
| 13     |       | V471-004041  | PIPE             | 1   | 3*6*165      |         |
| 14     |       | V475-007610  | TUBE             | 1   | 8*9*111      |         |

## MAGNETO

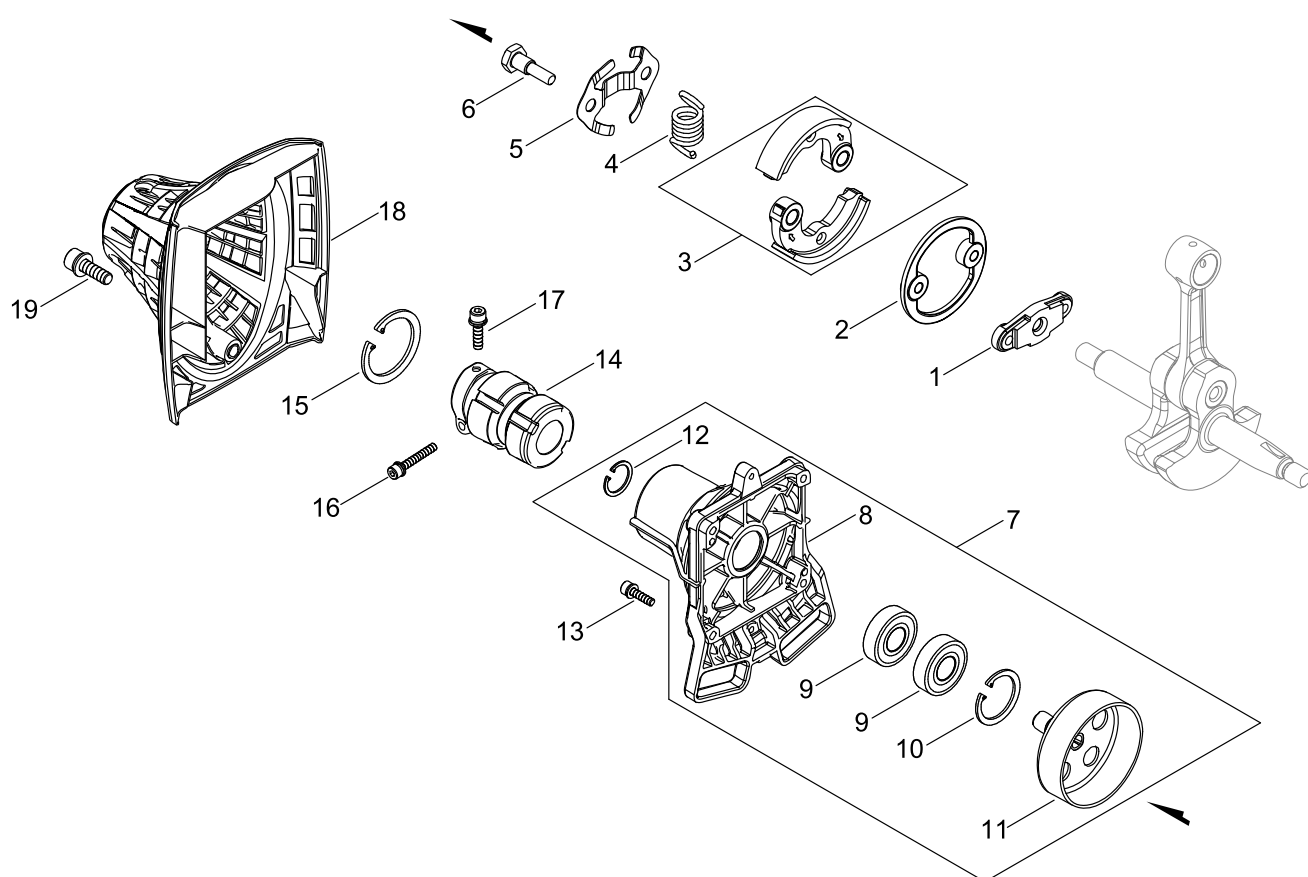


## MAGNETO

| KEY NO | LV(+) | Part No      | Description        | Qty | Standard     | Comment |
|--------|-------|--------------|--------------------|-----|--------------|---------|
| 1      |       | A409-001210  | ROTOR, MAGNETO     | 1   |              |         |
| 2      |       | A411-001371  | COIL, IGNITION     | 1   |              |         |
| 3      |       | V353-000630  | COLLAR,5           | 2   |              |         |
| 4      |       | V485-002331  | LEAD               | 1   |              |         |
| 5      |       | 100142-12330 | KEY, WOODRUFF      | 1   |              |         |
| 6      |       | 92105-08000  | NUT L, FLANGE      | 1   | 8            |         |
| 7      |       | V805-000150  | BOLT, TORX 5       | 2   | TB-5*16 10.9 |         |
| 8      |       | A425-000000  | SPARKPLUG          | 1   | BPMR8Y       |         |
| 9      |       | A427-000060  | CAP,SPARK PLUG     | 1   |              |         |
| 10     |       | A426-000010  | TERMINAL,SPARKPLUG | 1   |              |         |
| 11     |       | A429-000090  | COVER,CAP          | 1   |              |         |
| 12     |       | V475-007540  | TUBE               | 1   |              |         |
| 13     |       | V475-007550  | TUBE               | 1   |              |         |
| 14     |       | A514-000280  | PAWL               | 2   |              |         |
| 15     |       | V452-001471  | SPRING,TORSION     | 2   |              |         |
| 16     |       | 177247-04630 | SPACER, RATCHET    | 2   | 5.2*8*2.1    |         |
| 17     |       | V805-000140  | BOLT, TORX 5       | 2   | TB-5*12 10.9 |         |



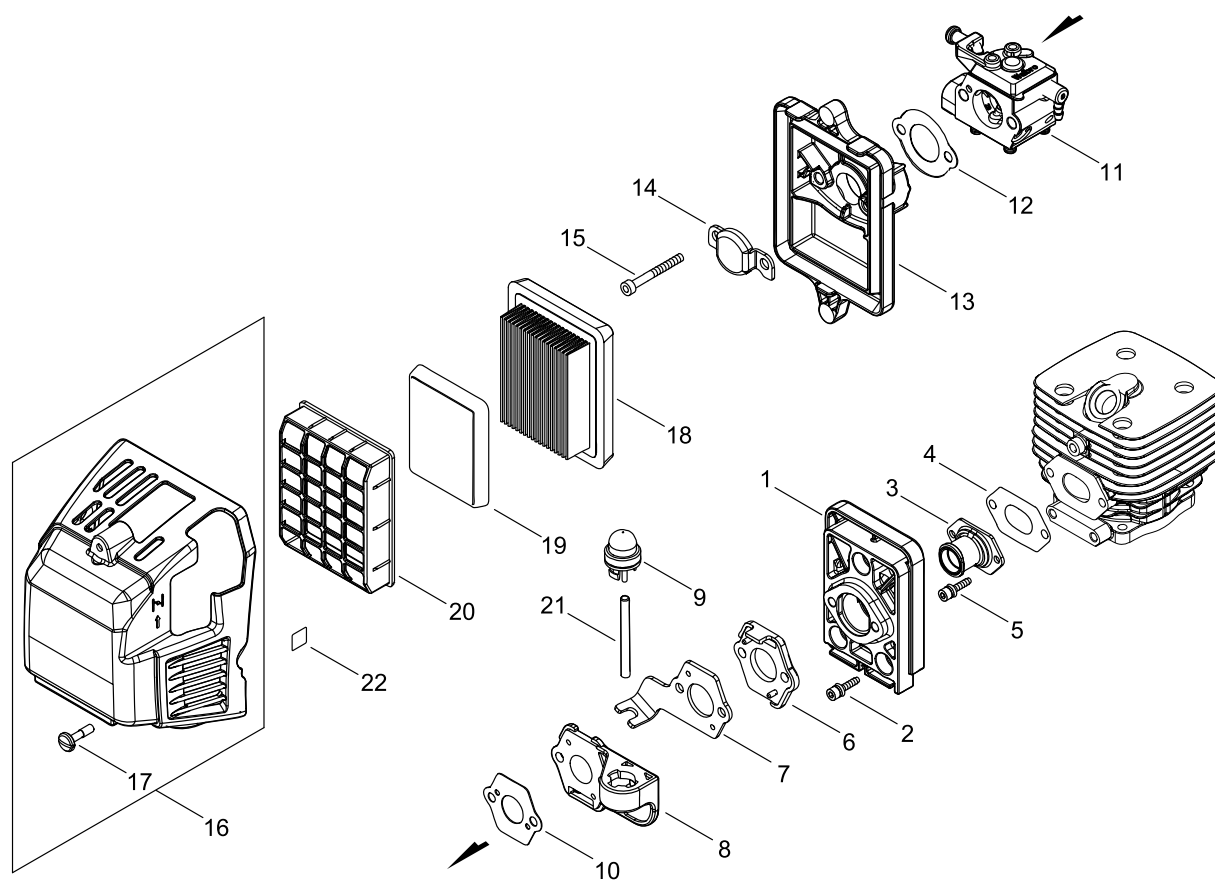
# CLUTCH



## CLUTCH

| KEY NO | LV(+) | Part No      | Description         | Qty | Standard     | Comment |
|--------|-------|--------------|---------------------|-----|--------------|---------|
| 1      |       | A552-000390  | HUB, CLUTCH         | 1   |              |         |
| 2      |       | V376-001980  | SPACER              | 1   |              |         |
| 3      |       | P100-000080  | CLUTCH SHOE SET     | 1   |              |         |
| 4      |       | A566-000230  | SPRING, CLUTCH      | 1   |              |         |
| 5      |       | V453-000230  | SPRING,FLAT         | 1   |              |         |
| 6      |       | A557-000190  | SHAFT, CLUTCH       | 2   |              |         |
| 7      |       | P100-002610  | CASE,CLUTCH ASY     | 1   |              |         |
| 8      | +     | A570-000281  | CASE,CLUTCH         | 1   |              |         |
| 9      | +     | 900807-06001 | BEARING, BALL 6001  | 2   | 6001V(LB)    |         |
| 10     | +     | 900702-00028 | CIRCLIP 28          | 1   | CR-28        |         |
| 11     | +     | A556-001540  | DRUM, CLUTCH        | 1   |              |         |
| 12     | +     | 900701-00012 | CIRCLIP 12          | 1   | CS-12        |         |
| 13     |       | V805-000170  | BOLT, TORX 5        | 4   | TB-5*25 10.9 |         |
| 14     |       | V420-004090  | CUSHION             | 1   |              |         |
| 15     |       | 900702-00045 | RING, RETAINING(IN) | 1   | CR-45        |         |
| 16     |       | V805-000170  | BOLT, TORX 5        | 1   | TB-5*25 10.9 |         |
| 17     |       | V805-000140  | BOLT, TORX 5        | 1   | TB-5*12 10.9 |         |
| 18     |       | A580-000011  | COVER,CLUTCH CASE   | 1   |              |         |
| 19     |       | V835-000000  | BOLT, TORX 5        | 2   |              |         |

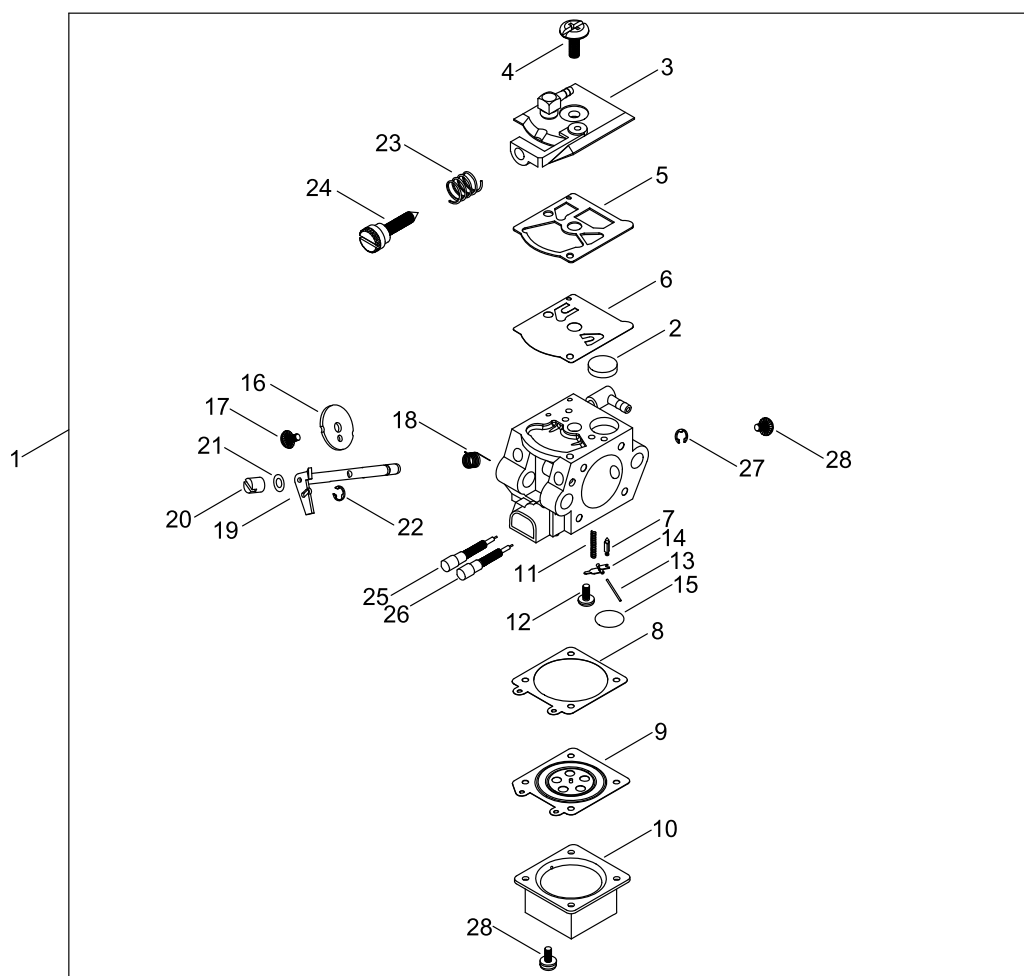
# AIR CLEANER, CARBURETOR



## AIR CLEANER, CARBURETOR

| KEY NO | LV(+) | Part No      | Description              | Qty | Standard      | Comment |
|--------|-------|--------------|--------------------------|-----|---------------|---------|
| 1      |       | A200-000990  | INSULATOR, INTAKE        | 1   |               |         |
| 2      |       | V835-000030  | BOLT, TORX 5             | 3   | TB-5*20 10.9  |         |
| 3      |       | A202-000251  | BELLOWS, INTAKE          | 1   |               |         |
| 4      |       | V103-001620  | GASKET,INTAKE            | 1   |               |         |
| 5      |       | V835-000010  | BOLT, TORX 5             | 2   | TB-5*12 10.9  |         |
| 6      |       | A209-000720  | PLATE, INSULATOR         | 1   |               |         |
| 7      |       | C487-000410  | HOLDER, CABLE            | 1   |               |         |
| 8      |       | A209-000730  | PLATE, INSULATOR         | 1   |               |         |
| 9      |       | 123181-39130 | PUMP, PRIMER             | 1   |               |         |
| 10     |       | V103-001610  | GASKET,INTAKE            | 1   |               |         |
| 11     |       | A021-004610  | CARBURETOR,<br>DIAPHRAGM | 1   | WT-1170       |         |
| 12     |       | V103-000471  | GASKET,INTAKE            | 1   | T0.5          |         |
| 13     |       | P021-041410  | CLEANER CASE ASY         | 1   |               |         |
| 14     |       | A244-000290  | PLATE, PREVENT           | 1   |               |         |
| 15     |       | V805-000100  | BOLT, TORX 5             | 2   | TB-5*65 10.9  |         |
| 16     |       | P100-002620  | CLEANER COVER ASY        | 1   |               |         |
| 17     | +     | V253-000100  | SCREW,5                  | 2   | 5*20          |         |
| 18     |       | A226-000361  | ELEMENT, AIR FILTER      | 1   | AFP-2010K-300 |         |
| 19     |       | A226-001740  | ELEMENT, AIR FILTER      | 1   |               |         |
| 20     |       | A227-000040  | PLATE, ELEMENT           | 1   |               |         |
| 21     |       | V471-004051  | PIPE                     | 1   | 2.4*5*115     |         |
| 22     |       | X524-001901  | LABEL                    | 1   |               |         |

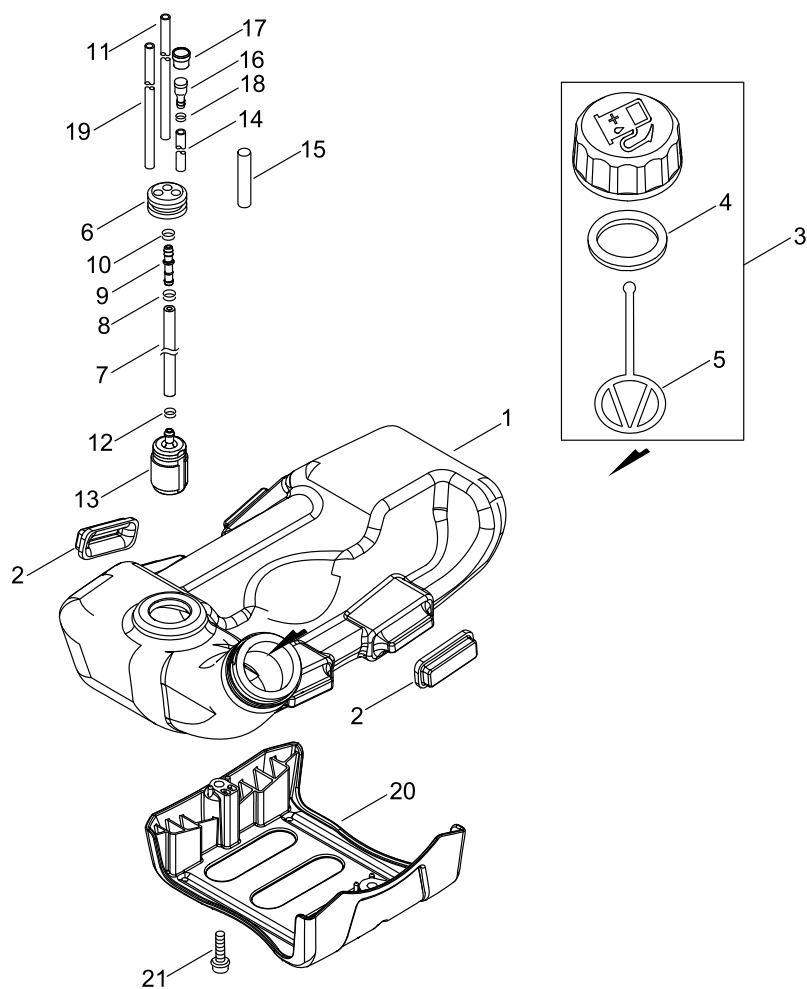
# CARBURETOR



## CARBURETOR

| KEY NO | LV(+) | Part No      | Description              | Qty | Standard | Comment |
|--------|-------|--------------|--------------------------|-----|----------|---------|
| 1      |       | A021-004610  | CARBURETOR,<br>DIAPHRAGM | 1   | WT-1170  |         |
| 2      | +     | 123126-10631 | SCREEN, INLET            | 1   |          |         |
| 3      | +     | P003-003930  | COVER, FUEL PUMP         | 1   |          |         |
| 4      | +     | 123110-03930 | SCREW, PUMP COVER        | 1   |          |         |
| 5      | +     | 123125-15030 | GASKET, FUEL PUMP        | 1   |          |         |
| 6      | +     | P003-006270  | DIAPHRAGM, FUEL PUMP     | 6   |          |         |
| 7      | +     | 123137-19830 | VALVE, INLET NEEDLE      | 1   |          |         |
| 8      | +     | 123140-03930 | GASKET, M. DIAPHRAGM     | 1   |          |         |
| 9      | +     | P003-001850  | DIAPHRAGM, METERING      | 1   |          |         |
| 10     | +     | 123142-03930 | COVER, M. DIAPHRAGM      | 1   |          |         |
| 11     | +     | 123122-03660 | SPRING, METER. LEVER     | 1   |          |         |
| 12     | +     | 123139-03930 | SCREW, M. LEVER PIN      | 1   |          |         |
| 13     | +     | 123138-03930 | PIN, METERING LEVER      | 1   |          |         |
| 14     | +     | 123123-03930 | LEVER, METERING          | 1   |          |         |
| 15     | +     | 123146-10631 | PLUG, WELCH              | 1   |          |         |
| 16     | +     | 123116-05960 | VALVE, THROTTLE          | 1   |          |         |
| 17     | +     | P003-002380  | SCREW                    | 1   |          |         |
| 18     | +     | 123113-47530 | SPRING, THR. RTN.        | 1   |          |         |
| 19     | +     | P003-005020  | SHAFT ASM THROTTLE       | 1   |          |         |
| 20     | +     | P003-005460  | SWIVEL                   | 1   |          |         |
| 21     | +     | 123149-54230 | WASHER                   | 1   |          |         |
| 22     | +     | 123173-07930 | CLIP                     | 1   |          |         |
| 23     | +     | 123133-04260 | SPRING, IDLE ADJUST      | 1   |          |         |
| 24     | +     | 123134-04260 | SCREW, IDLE ADJUST       | 1   |          |         |
| 25     | +     | P003-004460  | NEEDLE                   | 1   |          |         |
| 26     | +     | P003-002270  | NEEDLE                   | 1   |          |         |
| 27     | +     | 123127-03930 | CLIP, THROTTLE SHAFT     | 1   |          |         |
| 28     | +     | 123130-02960 | SCREW                    | 5   |          |         |

# FUEL TANK

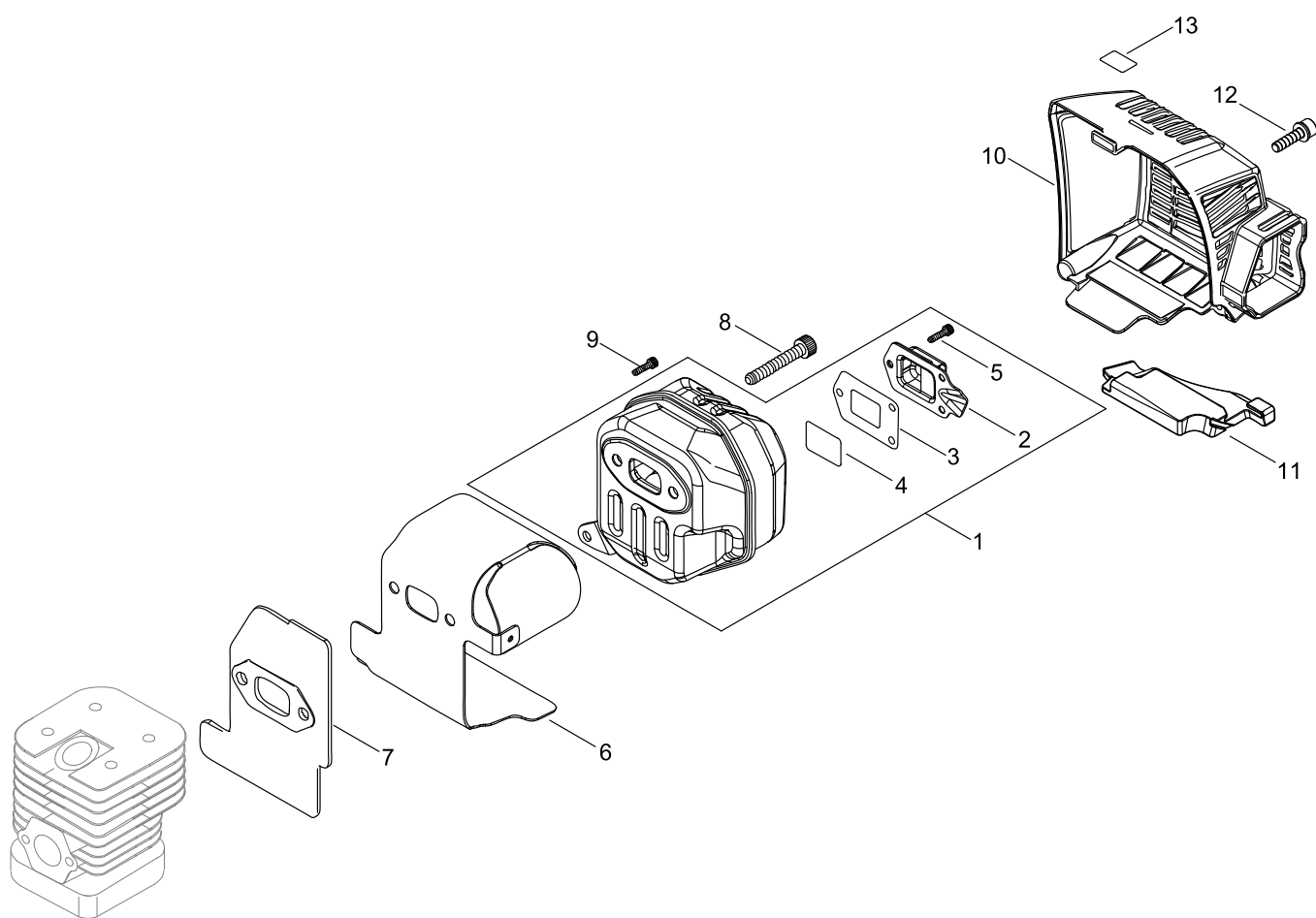


## FUEL TANK

| KEY NO | LV(+) | Part No      | Description         | Qty | Standard  | Comment |
|--------|-------|--------------|---------------------|-----|-----------|---------|
| 1      |       | A350-002021  | TANK, FUEL          | 1   |           |         |
| 2      |       | 131920-61830 | CUSHION, FUEL TANK  | 4   |           |         |
| 3      |       | P021-012211  | CAP,FUEL ASY        | 1   |           |         |
| 4      | +     | V107-000190  | GASKET,FUEL CAP     | 1   | 37.9*T2.2 |         |
| 5      | +     | A365-000060  | CONNECTOR,CAP       | 1   | L=123     |         |
| 6      |       | 132115-55931 | GROMMET, FUEL       | 1   | 3 Φ5      |         |
| 7      |       | V471-002311  | PIPE                | 1   | 3*6*130   |         |
| 8      |       | V490-001240  | CLIP                | 1   |           |         |
| 9      |       | V186-000510  | JOINT,PIPE          | 1   |           |         |
| 10     |       | 130111-00530 | CLIP                | 1   | 5.5       |         |
| 11     |       | V470-000841  | PIPE                | 1   | Φ5L字L180  |         |
| 12     |       | V490-001240  | CLIP                | 1   |           |         |
| 13     |       | A369-000001  | STRAINER, FUEL      | 1   | 125-528   |         |
| 14     |       | 130110-16430 | PIPE, IMPULSE       | 1   | 3*6*140L  |         |
| 15     |       | V475-007610  | TUBE                | 1   | 8*9*111   |         |
| 16     |       | 131300-56431 | VENT ASSEMBLY, FUEL | 1   |           |         |
| 17     |       | 131328-40630 | COVER, VENT         | 1   |           |         |
| 18     |       | V490-001240  | CLIP                | 1   |           |         |
| 19     |       | V471-003950  | PIPE                | 1   |           |         |
| 20     |       | A175-000331  | STAND               | 1   |           |         |
| 21     |       | V835-000000  | BOLT, TORX 5        | 2   |           |         |



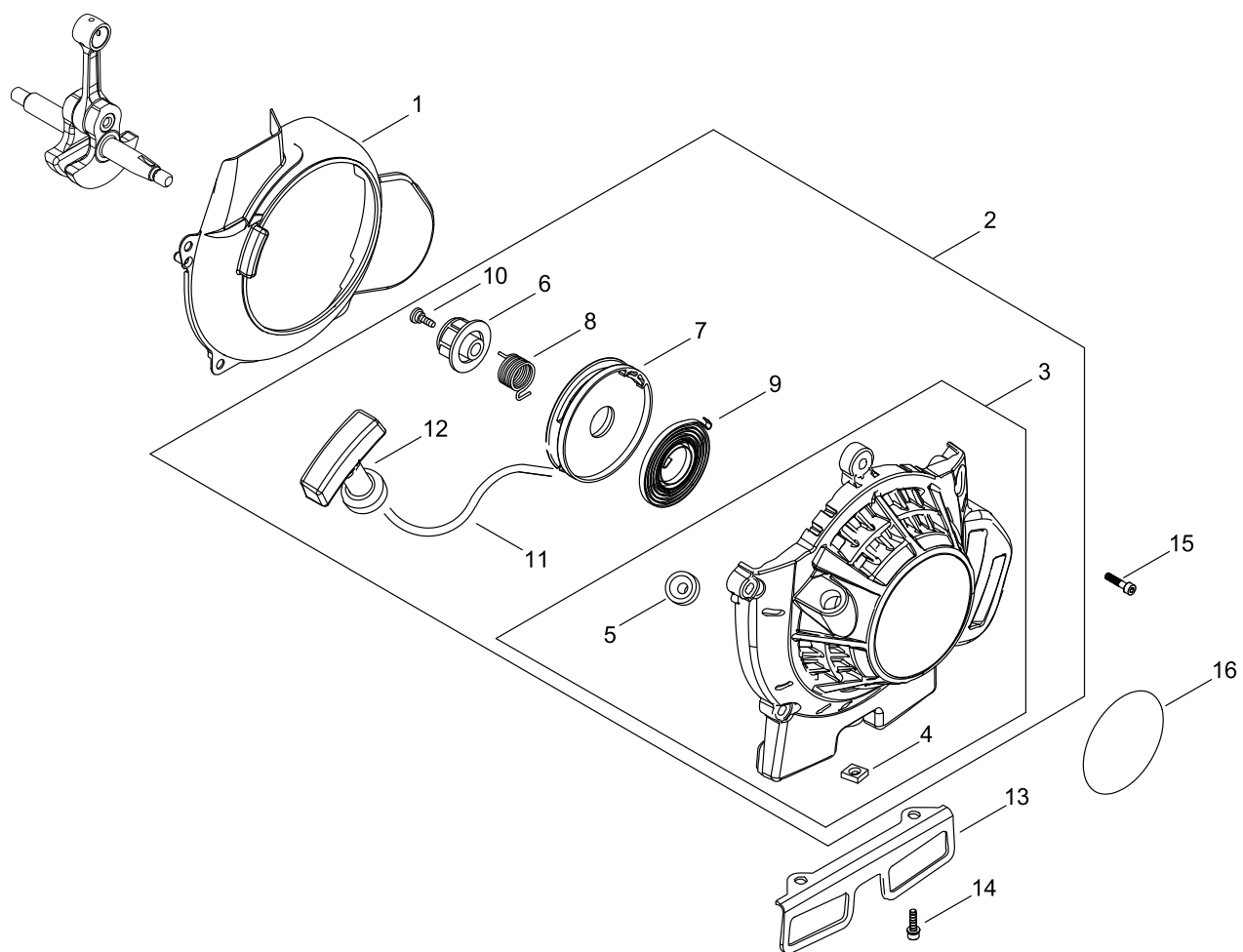
## MUFFLER



## MUFFLER

| KEY NO | LV(+) | Part No      | Description     | Qty | Standard     | Comment |
|--------|-------|--------------|-----------------|-----|--------------|---------|
| 1      |       | P100-000070  | MUFFLER ASY     | 1   |              |         |
| 2      | +     | A313-001910  | GUIDE, EXHAUST  | 1   |              |         |
| 3      | +     | V104-002040  | GASKET,EXHAUST  | 1   |              |         |
| 4      | +     | 145862-40630 | SCREEN, MUFFLER | 1   |              |         |
| 5      | +     | V804-000030  | BOLT, TORX 4    | 3   | TB-4*8 10.9  |         |
| 6      |       | V104-002020  | GASKET,EXHAUST  | 1   |              |         |
| 7      |       | V104-002030  | GASKET,EXHAUST  | 1   |              |         |
| 8      |       | V806-000050  | BOLT, TORX 6    | 2   | TB-6*20 12.9 |         |
| 9      |       | V805-000250  | BOLT, TORX 5    | 1   | TB-5*16 12.9 |         |
| 10     |       | A320-001000  | COVER,MUFFLER   | 1   |              |         |
| 11     |       | V541-000540  | SEAL            | 1   |              |         |
| 12     |       | V805-000260  | BOLT, TORX 5    | 2   | TB5*25 10.9  |         |
| 13     |       | X505-002310  | LABEL,CAUTION   | 1   | HOT CAUTION  |         |

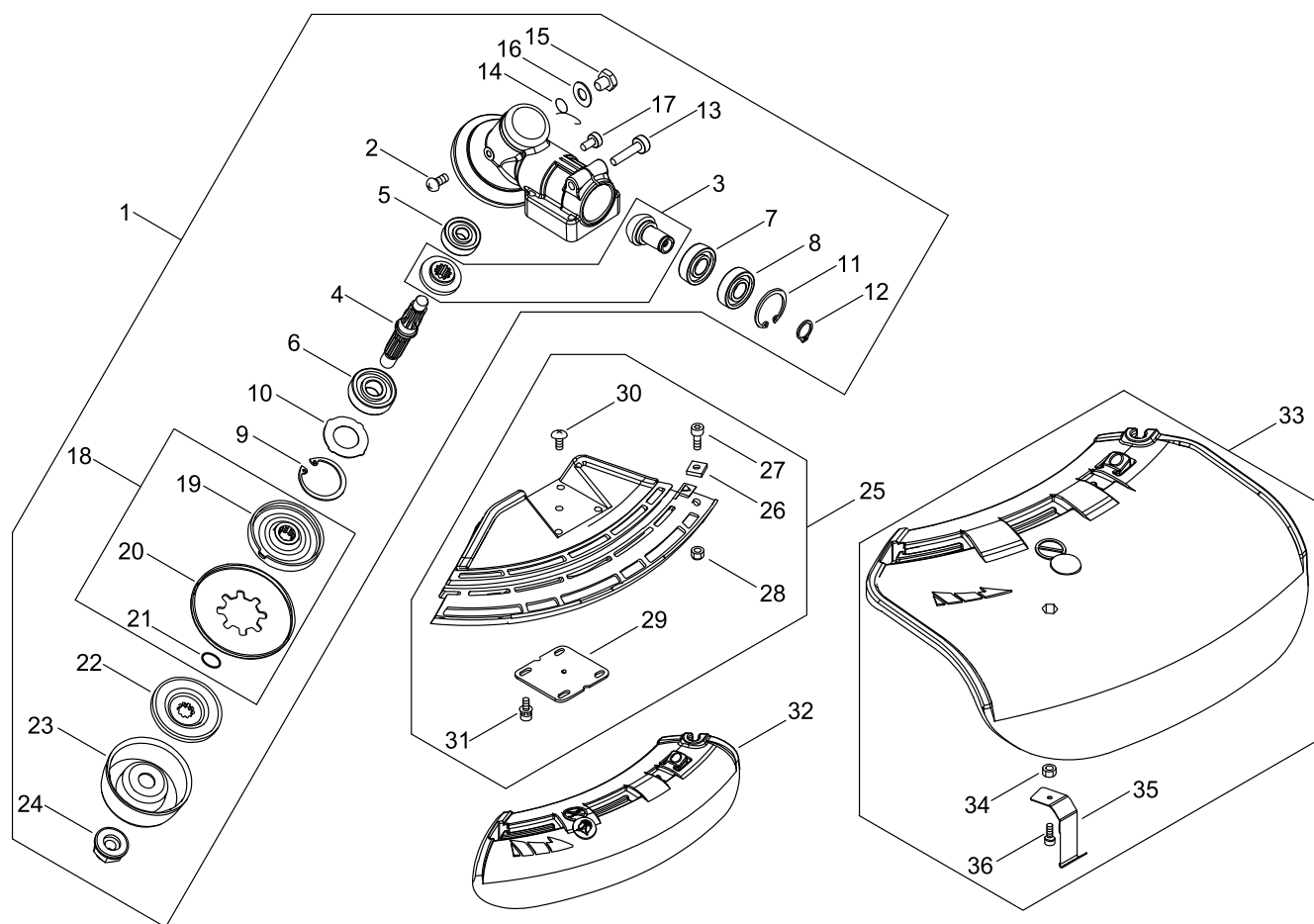
RECOIL STARTER, PULLY



## RECOIL STARTER, PULLY

| KEY NO | LV(+) | Part No      | Description        | Qty | Standard     | Comment |
|--------|-------|--------------|--------------------|-----|--------------|---------|
| 1      |       | A172-002240  | COVER,FAN          | 1   |              |         |
| 2      |       | A051-002630  | STARTER,RECOIL ASY | 1   |              |         |
| 3      | +     | P022-037550  | STARTER CASE       | 1   |              |         |
| 4      | ++    | 900565-00005 | NUT                | 1   | 5            |         |
| 5      | ++    | P022-045770  | GUIDE, ROPE        | 1   |              |         |
| 6      | +     | P022-033830  | CAM                | 1   |              |         |
| 7      | +     | P022-023140  | DRUM, STARTER      | 1   |              |         |
| 8      | +     | P022-023120  | SPRING,DAMPER      | 1   |              |         |
| 9      | +     | P022-004680  | SPRING, SPIRAL     | 1   |              |         |
| 10     | +     | P022-023110  | SCREW              | 1   |              |         |
| 11     | +     | P022-023100  | ROPE, STARTER      | 1   |              |         |
| 12     | +     | 177228-27030 | GRIP, STARTER      | 1   |              |         |
| 13     |       | A393-000300  | BRACKET,FUEL TANK  | 1   | T1.5         |         |
| 14     |       | V805-000150  | BOLT, TORX 5       | 2   | TB-5*16 10.9 |         |
| 15     |       | V835-000030  | BOLT, TORX 5       | 4   | TB-5*20 10.9 |         |
| 16     |       | X502-000900  | LABEL,ECHO         | 1   |              |         |

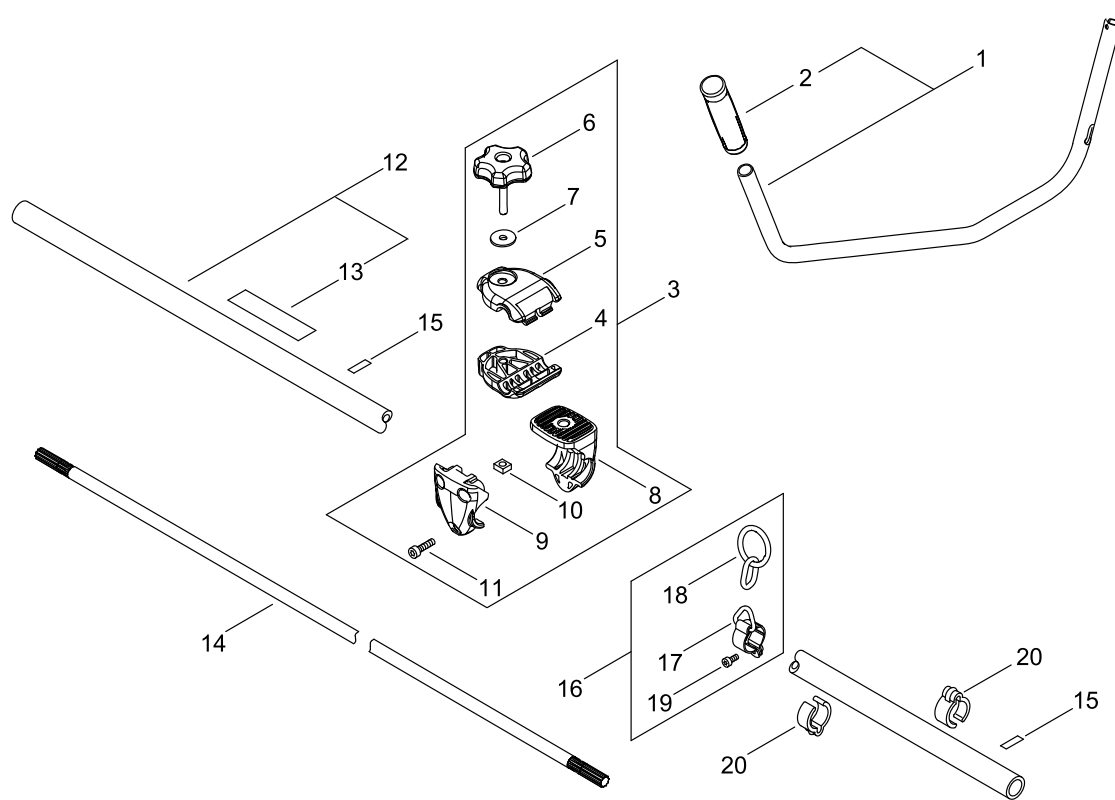
GEAR CASE, SHIELD



## GEAR CASE, SHIELD

| KEY NO | LV(+) | Part No      | Description        | Qty | Standard     | Comment |
|--------|-------|--------------|--------------------|-----|--------------|---------|
| 1      |       | P021-041342  | CASE,GEAR          | 1   |              |         |
| 2      | +     | 900220-04006 | SCREW 4*6          | 1   | 4*6          |         |
| 3      | +     | 610300-56930 | GEAR SET           | 1   |              |         |
| 4      | +     | 610310-56933 | SHAFT, P.T.O.      | 1   | 12*10*1      |         |
| 5      | +     | 900810-00629 | BEARING, BALL 629  | 1   | 629          |         |
| 6      | +     | 900812-06201 | BEARING, BALL 6201 | 1   | 6201DDU(LLU) |         |
| 7      | +     | 900800-06001 | BEARING, BALL 6001 | 1   | 6001         |         |
| 8      | +     | 900803-06001 | BEARING, BALL 6001 | 1   | 6001Z        |         |
| 9      | +     | 900702-00032 | CIRCLIP 32         | 1   | CR-32        |         |
| 10     | +     | 610444-56830 | WASHER             | 1   |              |         |
| 11     | +     | 900702-00028 | CIRCLIP 28         | 1   | CR-28        |         |
| 12     | +     | 900701-00012 | CIRCLIP 12         | 1   | CS-12        |         |
| 13     | +     | V806-000100  | BOLT, TORX 6       | 1   | TB-6*30 10.9 |         |
| 14     | +     | V452-001310  | SPRING,TORSION     | 1   |              |         |
| 15     | +     | 610434-50031 | BOLT 8* 8          | 1   | M8*8         |         |
| 16     | +     | 900603-50008 | WASHER             | 1   | 8.5*18*0.8T  |         |
| 17     | +     | V805-000130  | BOLT, TORX 5       | 1   | TB-5*10 10.9 |         |
| 18     | +     | 610313-52932 | FIXTURE,BLADE      | 1   |              |         |
| 19     | ++    | 610313-52132 | FIXTURE,BLADE      | 1   |              |         |
| 20     | ++    | 610352-56830 | PLATE, CUP         | 1   |              |         |
| 21     | ++    | 900720-00012 | O-RING 12          | 1   | P-12         |         |
| 22     | +     | 610314-52130 | PLATE, ADAPTER (L) | 1   |              |         |
| 23     | +     | 699229-56830 | PLATE, COVER       | 1   |              |         |
| 24     | +     | 610320-52130 | NUT 10             | 1   |              |         |
| 25     |       | P021-050810  | SHIELD BLADE ASY   | 1   |              |         |
| 26     | +     | 900565-00005 | NUT                | 1   | 5            |         |
| 27     | +     | V805-000170  | BOLT, TORX 5       | 1   | TB-5*25 10.9 |         |
| 28     | +     | 900562-00005 | NUT, LOCK          | 1   | 5            |         |
| 29     | +     | C552-000200  | PLATE, SHIELD      | 1   |              |         |
| 30     | +     | 91316-04010  | SCREW              | 1   | M4*10        |         |
| 31     | +     | V805-000260  | BOLT, TORX 5       | 4   | TB5*25 10.9  |         |
| 32     |       | C550-000551  | SHIELD,BLADE       | 1   |              |         |
| 33     |       | P021-041320  | SHIELD ASY, BLADE  | 1   |              |         |
| 34     | +     | V263-000020  | NUT,5              | 1   |              |         |
| 35     | +     | C554-000030  | KNIFE, CORD        | 1   | 17INCH       |         |
| 36     | +     | V805-000150  | BOLT, TORX 5       | 1   | TB-5*16 10.9 |         |

MAIN PIPE, HANDLE

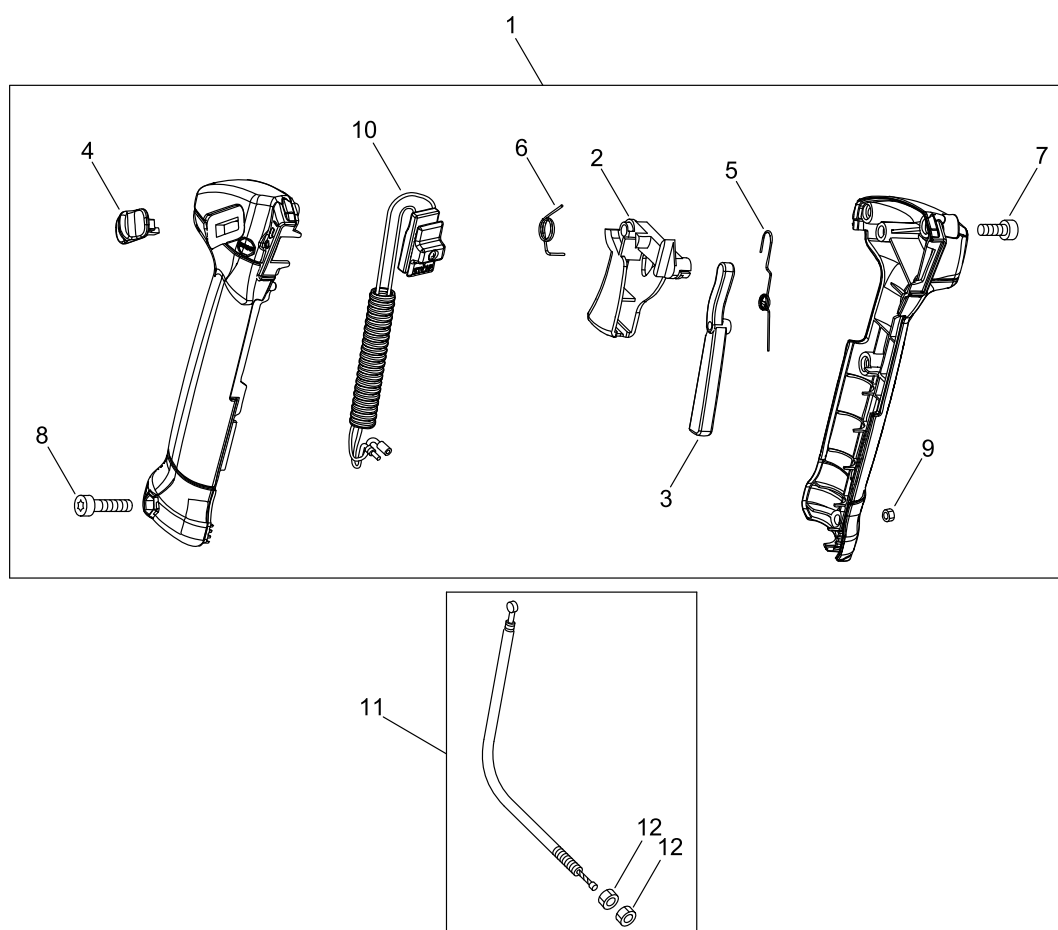


## MAIN PIPE, HANDLE

| KEY NO | LV(+) | Part No      | Description         | Qty | Standard     | Comment |
|--------|-------|--------------|---------------------|-----|--------------|---------|
| 1      |       | P100-002560  | HANDLE ASY          | 1   |              |         |
| 2      | +     | 351213-47531 | GRIP, HANDLE        | 1   |              |         |
| 3      |       | P100-002570  | FIXTURE,ASY HANDLE  | 1   |              |         |
| 4      | +     | C423-000221  | FIXTURE,HANDLE      | 1   |              |         |
| 5      | +     | C423-000210  | FIXTURE,HANDLE      | 1   |              |         |
| 6      | +     | V299-000110  | KNOB,FASTENER       | 1   |              |         |
| 7      | +     | 605014-54230 | WASHER              | 1   |              |         |
| 8      | +     | 351312-52931 | BRACKET, HANDLE (U) | 1   |              |         |
| 9      | +     | 351313-52930 | BRACKET, HANDLE (C) | 1   |              |         |
| 10     | +     | 900565-50008 | NUT                 | 1   | 8*1.25       |         |
| 11     | +     | V805-000170  | BOLT, TORX 5        | 3   | TB-5*25 10.9 |         |
| 12     |       | P021-048950  | MAIN PIPE ASY       | 1   |              |         |
| 13     | +     | 890617-43130 | LABEL,CAUTION       | 1   |              |         |
| 14     |       | 610011-49931 | SHAFT, DRIVE        | 1   |              |         |
| 15     |       | 890152-04930 | LABEL, CAUTION      | 2   |              |         |
| 16     |       | P100-002580  | HOOK ASY            | 1   |              |         |
| 17     | +     | 301210-04631 | HOOK                | 1   |              |         |
| 18     | +     | 301015-05330 | HOOK, BAND          | 1   |              |         |
| 19     | +     | V805-000140  | BOLT, TORX 5        | 1   | TB-5*12 10.9 |         |
| 20     |       | 224924-52930 | CLIP                | 2   | 28MM         |         |



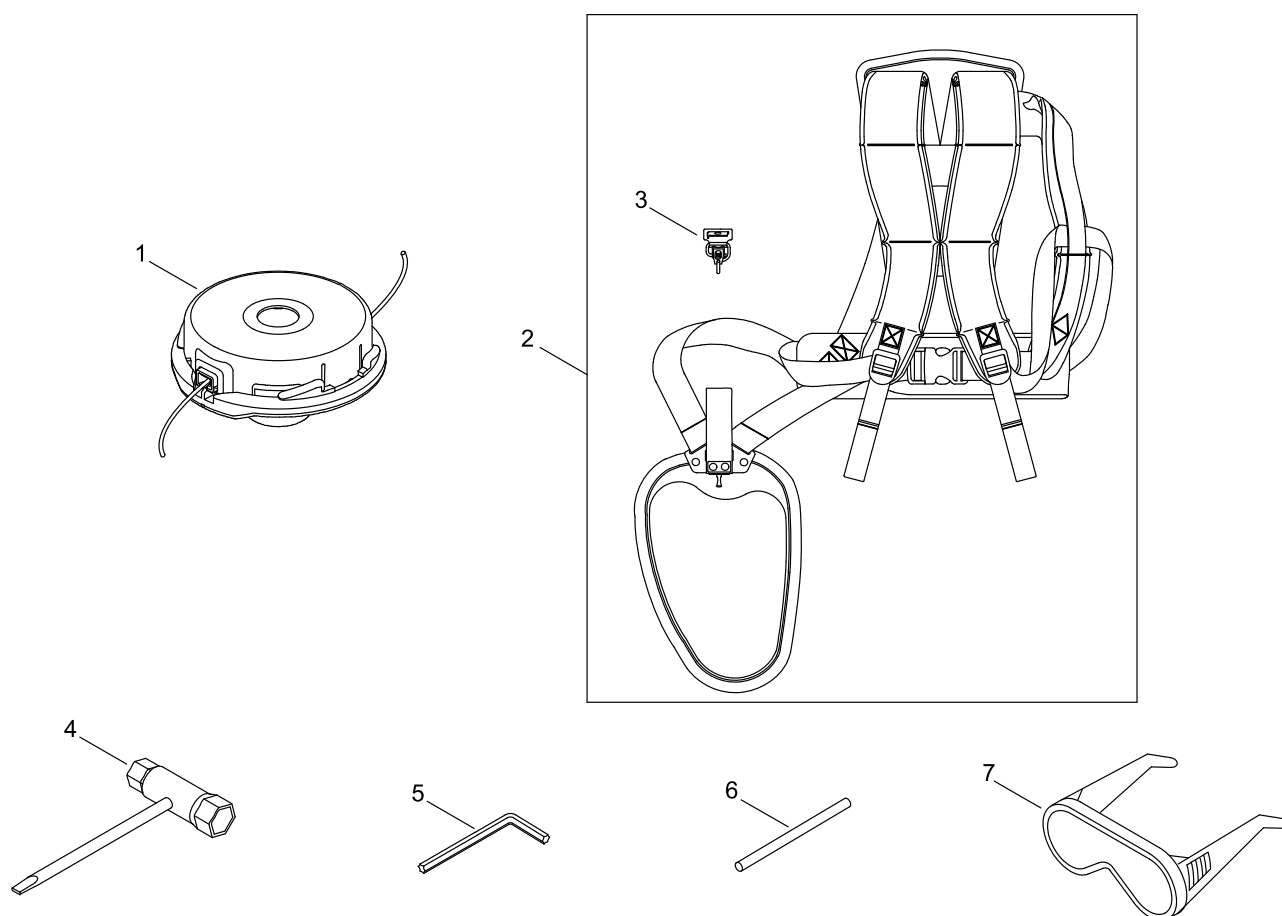
# THROTTLE



## THROTTLE

| KEY NO | LV(+) | Part No      | Description       | Qty | Standard           | Comment |
|--------|-------|--------------|-------------------|-----|--------------------|---------|
| 1      |       | P100-005390  | THROTTLE ASY      | 1   |                    |         |
| 2      | +     | C450-000880  | CONTROL, THROTTLE | 1   |                    |         |
| 3      | +     | C460-000490  | LOCKOUT, THROTTLE | 1   |                    |         |
| 4      | +     | C463-000000  | KNOB,LATCH        | 1   |                    |         |
| 5      | +     | V452-001540  | SPRING,TORSION    | 1   |                    |         |
| 6      | +     | V452-000060  | SPRING,TORSION    | 1   |                    |         |
| 7      | +     | V804-000010  | BOLT, TORX 4      | 3   | TT-4*16 DG<br>10.9 |         |
| 8      | +     | V805-000060  | BOLT, TORX 5      | 1   | TB-5*35 10.9       |         |
| 9      | +     | 900500-00005 | NUT 5             | 1   | 5                  |         |
| 10     |       | P100-002600  | SWITCH,ON OFF     | 1   |                    |         |
| 11     |       | V430-005060  | CABLE,BOWDEN      | 1   |                    |         |
| 12     | +     | 900502-00006 | NUT 6 (3N)        | 2   | 3N6                |         |

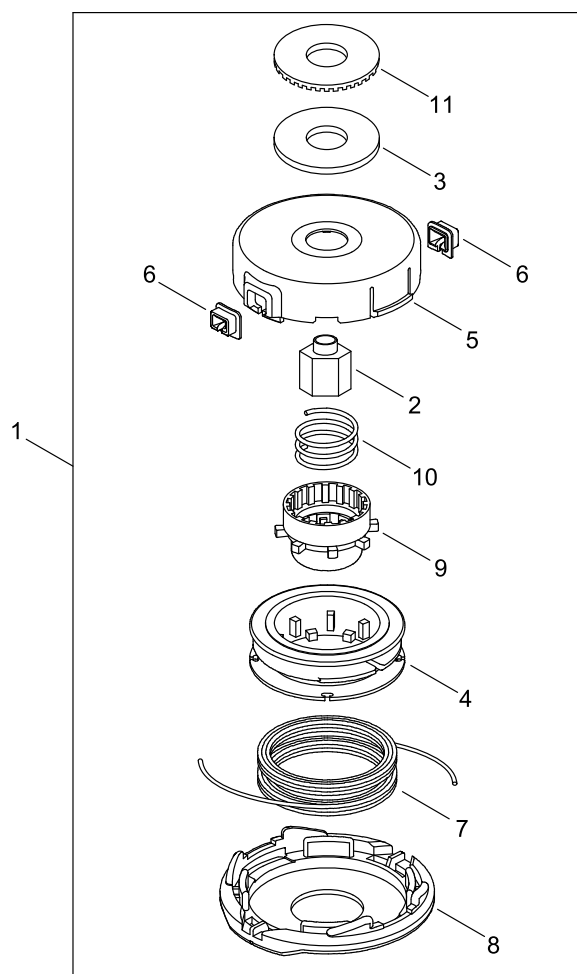
## ACCESSORIES



## ACCESSORIES

| KEY NO | LV(+) | Part No     | Description       | Qty | Standard        | Comment |
|--------|-------|-------------|-------------------|-----|-----------------|---------|
| 1      |       | X047-000230 | CUTTER,ASM LINE   | 1   | DS-5 M10 L      |         |
| 2      |       | C062-000511 | HARNESS, SHOULDER | 1   |                 |         |
| 3      | +     | P021-041300 | HOOK ASSY         | 1   |                 |         |
| 4      |       | X602-000020 | TOOL,WRENCH       | 1   | 17*19 L200      |         |
| 5      |       | X605-000170 | TOOL,L WRENCH     | 1   |                 |         |
| 6      |       | X606-000080 | TOOL,BAR          | 1   | 5*120           |         |
| 7      |       | X690-000080 | GOGGLE            | 1   | SI CHINA, Z87.1 |         |

## NYLON LINE CUTTER



## NYLON LINE CUTTER

| KEY NO | LV(+) | Part No     | Description     | Qty | Standard   | Comment |
|--------|-------|-------------|-----------------|-----|------------|---------|
| 1      |       | X047-000230 | CUTTER,ASM LINE | 1   | DS-5 M10 L |         |
| 2      | +     | P022-010390 | NUT             | 1   |            |         |
| 3      | +     | P022-023160 | SPACER          | 1   |            |         |
| 4      | +     | P022-001180 | BOBBIN          | 1   | DS-5/10    |         |
| 5      | +     | P022-049850 | HOUSING         | 1   |            |         |
| 6      | +     | P022-000710 | EYELET          | 2   | T4         |         |
| 7      | +     | P022-006200 | NYLON CODE      | 1   | 3.0*3M     |         |
| 8      | +     | P022-005030 | COVER           | 1   |            |         |
| 9      | +     | P022-019450 | TAP KNOB        | 1   |            |         |
| 10     | +     | P022-001200 | SPRING          | 1   | DS-5/10    |         |
| 11     | +     | P022-022050 | WASHER          | 1   |            |         |

# NUMERICAL PARTS INDEX

| Part No       | Part description     | Page | Part No       | Part description    | Page | Part No       | Part description     | Page |
|---------------|----------------------|------|---------------|---------------------|------|---------------|----------------------|------|
| 100012-1-9830 | BEARING, NEEDLE      | 2    | 130110-1-6430 | PIPE, IMPULSE       | 14   | 610314-5-2130 | PLATE, ADAPTER (L)   | 20   |
| 100014-1-7330 | SPACER, PISTON PIN   | 2    | 130111-0-0530 | CLIP                | 14   | 610320-5-2130 | NUT 10               | 20   |
| 100142-1-2330 | KEY, WOODRUFF        | 6    | 131300-5-6431 | VENT ASSEMBLY, FUEL | 14   | 610352-5-6830 | PLATE, CUP           | 20   |
| 100213-0-5530 | OILSEAL              | 4    | 131328-4-0630 | COVER, VENT         | 14   | 610434-5-0031 | BOLT 8* 8            | 20   |
| 123110-0-3930 | SCREW, PUMP COVER    | 12   | 131920-6-1830 | CUSHION, FUEL TANK  | 14   | 610444-5-6830 | WASHER               | 20   |
| 123113-4-7530 | SPRING, THR. RTN.    | 12   | 132115-5-5931 | GROMMET, FUEL       | 14   | 699229-5-6830 | PLATE, COVER         | 20   |
| 123116-0-5960 | VALVE, THROTTLE      | 12   | 145862-4-0630 | SCREEN, MUFFLER     | 16   | 890152-0-4930 | LABEL, CAUTION       | 22   |
| 123122-0-3660 | SPRING, METER. LEVER | 12   | 156110-0-4920 | BUSHING             | 4    | 890617-4-3130 | LABEL,CAUTION        | 22   |
| 123123-0-3930 | LEVER, METERING      | 12   | 156114-0-7320 | GROMMET             | 4    | 900220-0-4006 | SCREW 4*6            | 20   |
| 123125-1-5030 | GASKET, FUEL PUMP    | 12   | 159116-2-1231 | CLAMP               | 4    | 900500-0-0005 | NUT 5                | 24   |
| 123126-1-0631 | SCREEN, INLET        | 12   | 177228-2-7030 | GRIP, STARTER       | 18   | 900502-0-0006 | NUT 6 (3N)           | 24   |
| 123127-0-3930 | CLIP, THROTTLE SHAFT | 12   | 177247-0-4630 | SPACER, RATCHET     | 6    | 900562-0-0005 | NUT, LOCK            | 20   |
| 123130-0-2960 | SCREW                | 12   | 224924-5-2930 | CLIP                | 22   | 900565-0-0005 | NUT                  | 18   |
| 123133-0-4260 | SPRING, IDLE ADJUST  | 12   | 301015-0-5330 | HOOK, BAND          | 22   | 900565-0-0005 | NUT                  | 20   |
| 123134-0-4260 | SCREW, IDLE ADJUST   | 12   | 301210-0-4631 | HOOK                | 22   | 900565-5-0008 | NUT                  | 22   |
| 123137-1-9830 | VALVE, INLET NEEDLE  | 12   | 351213-4-7531 | GRIP, HANDLE        | 22   | 900603-5-0008 | WASHER               | 20   |
| 123138-0-3930 | PIN, METERING LEVER  | 12   | 351312-5-2931 | BRACKET, HANDLE (U) | 22   | 900701-0-0012 | CIRCLIP 12           | 8    |
| 123139-0-3930 | SCREW, M. LEVER PIN  | 12   | 351313-5-2930 | BRACKET, HANDLE (C) | 22   | 900701-0-0012 | CIRCLIP 12           | 20   |
| 123140-0-3930 | GASKET, M. DIAPHRAGM | 12   | 605014-5-4230 | WASHER              | 22   | 900702-0-0028 | CIRCLIP 28           | 8    |
| 123142-0-3930 | COVER, M. DIAPHRAGM  | 12   | 610011-4-9931 | SHAFT, DRIVE        | 22   | 900702-0-0028 | CIRCLIP 28           | 20   |
| 123146-1-0631 | PLUG, WELCH          | 12   | 610300-5-6930 | GEAR SET            | 20   | 900702-0-0032 | CIRCLIP 32           | 20   |
| 123149-5-4230 | WASHER               | 12   | 610310-5-6933 | SHAFT, P.T.O.       | 20   | 900702-0-0045 | RING, RETAINING (IN) | 8    |
| 123173-0-7930 | CLIP                 | 12   | 610313-5-2132 | FIXTURE, BLADE      | 20   | 900720-0-0012 | O-RING 12            | 20   |
| 123181-3-9130 | PUMP, PRIMER         | 10   | 610313-5-2932 | FIXTURE, BLADE      | 20   | 900800-0-6001 | BEARING, BALL 6001   | 20   |

# NUMERICAL PARTS INDEX

| Part No       | Part description      | Page | Part No      | Part description    | Page | Part No      | Part description     | Page |
|---------------|-----------------------|------|--------------|---------------------|------|--------------|----------------------|------|
| 900803-0-6001 | BEARING, BALL 6001    | 20   | A227-00-0040 | PLATE, ELEMENT      | 10   | C450-00-0880 | CONTROL, THROTTLE    | 24   |
| 900807-0-6001 | BEARING, BALL 6001    | 8    | A244-00-0290 | PLATE, PREVENT      | 10   | C460-00-0490 | LOCKOUT, THROTTLE    | 24   |
| 900810-0-0629 | BEARING, BALL 629     | 20   | A313-00-1910 | GUIDE, EXHAUST      | 16   | C463-00-0000 | KNOB,LATCH           | 24   |
| 900812-0-6201 | BEARING, BALL 6201    | 20   | A320-00-1000 | COVER,MUFFLER       | 16   | C487-00-0410 | HOLDER, CABLE        | 10   |
| 900888-3-6201 | BEARING, BALL         | 4    | A350-00-2021 | TANK, FUEL          | 14   | C550-00-0551 | SHIELD,BLADE         | 20   |
| 91316-04-010  | SCREW                 | 20   | A365-00-0060 | CONNECTOR,CAP       | 14   | C552-00-0200 | PLATE, SHIELD        | 20   |
| 92105-08-000  | NUT L, FLANGE         | 6    | A369-00-0001 | STRAINER, FUEL      | 14   | C554-00-0030 | KNIFE, CORD          | 20   |
| A011-00-1230  | CRANKSHAFT,ASY        | 2    | A393-00-0300 | BRACKET,FUEL TANK   | 18   | P003-00-1850 | DIAPHRAGM, METERING  | 12   |
| A021-00-4610  | CARBURETOR, DIAPHRAGM | 10   | A409-00-1210 | ROTOR, MAGNETO      | 6    | P003-00-2270 | NEEDLE               | 12   |
| A021-00-4610  | CARBURETOR, DIAPHRAGM | 12   | A411-00-1371 | COIL, IGNITION      | 6    | P003-00-2380 | SCREW                | 12   |
| A051-00-2630  | STARTER,RECOIL ASY    | 18   | A425-00-0000 | SPARKPLUG           | 6    | P003-00-3930 | COVER, FUEL PUMP     | 12   |
| A101-00-0160  | RING, PISTON          | 2    | A426-00-0010 | TERMINAL, SPARKPLUG | 6    | P003-00-4460 | NEEDLE               | 12   |
| A130-00-2070  | CYLINDER              | 2    | A427-00-0060 | CAP,SPARK PLUG      | 6    | P003-00-5020 | SHAFT ASM THROTTLE   | 12   |
| A160-00-2620  | COVER,CYLINDER        | 2    | A429-00-0090 | COVER,CAP           | 6    | P003-00-5460 | SWIVEL               | 12   |
| A160-00-2631  | COVER,CYLINDER        | 2    | A514-00-0280 | PAWL                | 6    | P003-00-6270 | DIAPHRAGM, FUEL PUMP | 12   |
| A172-00-2240  | COVER,FAN             | 18   | A552-00-0390 | HUB, CLUTCH         | 8    | P021-01-2211 | CAP,FUEL ASY         | 14   |
| A175-00-0331  | STAND                 | 14   | A556-00-1540 | DRUM, CLUTCH        | 8    | P021-04-1300 | HOOK ASSY            | 26   |
| A200-00-0990  | INSULATOR, INTAKE     | 10   | A557-00-0190 | SHAFT, CLUTCH       | 8    | P021-04-1320 | SHIELD ASY, BLADE    | 20   |
| A202-00-0251  | BELLOWS, INTAKE       | 10   | A566-00-0230 | SPRING, CLUTCH      | 8    | P021-04-1342 | CASE,GEAR            | 20   |
| A209-00-0720  | PLATE, INSULATOR      | 10   | A570-00-0281 | CASE,CLUTCH         | 8    | P021-04-1390 | PISTON KIT           | 2    |
| A209-00-0730  | PLATE, INSULATOR      | 10   | A580-00-0011 | COVER,CLUTCH CASE   | 8    | P021-04-1410 | CLEANER CASE ASY     | 10   |
| A209-00-0740  | PLATE, INSULATOR      | 4    | C062-00-0511 | HARNESS, SHOULDER   | 26   | P021-04-8950 | MAIN PIPE ASY        | 22   |
| A226-00-0361  | ELEMENT, AIR FILTER   | 10   | C423-00-0210 | FIXTURE,HANDLE      | 22   | P021-05-0810 | SHIELD BLADE ASY     | 20   |
| A226-00-1740  | ELEMENT, AIR FILTER   | 10   | C423-00-0221 | FIXTURE,HANDLE      | 22   | P022-00-0710 | EYELET               | 28   |



# NUMERICAL PARTS INDEX

| Part No      | Part description   | Page | Part No      | Part description  | Page | Part No      | Part description | Page |
|--------------|--------------------|------|--------------|-------------------|------|--------------|------------------|------|
| P022-00-1180 | BOBBIN             | 28   | P100-00-2620 | CLEANER COVER ASY | 10   | V453-00-0230 | SPRING,FLAT      | 8    |
| P022-00-1200 | SPRING             | 28   | P100-00-2630 | CRANKCASE SET     | 4    | V470-00-0841 | PIPE             | 14   |
| P022-00-4680 | SPRING, SPIRAL     | 18   | P100-00-5390 | THROTTLE ASY      | 24   | V471-00-2311 | PIPE             | 14   |
| P022-00-5030 | COVER              | 28   | V100-00-0760 | GASKET,CYL        | 2    | V471-00-3950 | PIPE             | 14   |
| P022-00-6200 | NYLON CODE         | 28   | V102-00-0250 | GASKET, CRANKCASE | 4    | V471-00-4041 | PIPE             | 4    |
| P022-01-0390 | NUT                | 28   | V103-00-0471 | GASKET,INTAKE     | 10   | V471-00-4051 | PIPE             | 10   |
| P022-01-9450 | TAP KNOB           | 28   | V103-00-1610 | GASKET,INTAKE     | 10   | V475-00-7540 | TUBE             | 6    |
| P022-02-2050 | WASHER             | 28   | V103-00-1620 | GASKET,INTAKE     | 10   | V475-00-7550 | TUBE             | 6    |
| P022-02-3100 | ROPE, STARTER      | 18   | V104-00-2020 | GASKET,EXHAUST    | 16   | V475-00-7610 | TUBE             | 4    |
| P022-02-3110 | SCREW              | 18   | V104-00-2030 | GASKET,EXHAUST    | 16   | V475-00-7610 | TUBE             | 14   |
| P022-02-3120 | SPRING,DAMPER      | 18   | V104-00-2040 | GASKET,EXHAUST    | 16   | V485-00-2331 | LEAD             | 6    |
| P022-02-3140 | DRUM, STARTER      | 18   | V107-00-0190 | GASKET,FUEL CAP   | 14   | V485-00-2570 | LEAD             | 4    |
| P022-02-3160 | SPACER             | 28   | V186-00-0510 | JOINT,PIPE        | 14   | V490-00-1240 | CLIP             | 14   |
| P022-03-3830 | CAM                | 18   | V253-00-0100 | SCREW,5           | 10   | V505-00-0020 | SEAL,OIL 12      | 4    |
| P022-03-7550 | STARTER CASE       | 18   | V263-00-0020 | NUT,5             | 20   | V541-00-0540 | SEAL             | 16   |
| P022-04-5770 | GUIDE, ROPE        | 18   | V299-00-0110 | KNOB,FASTENER     | 22   | V580-00-0010 | RING,END         | 2    |
| P022-04-9850 | HOUSING            | 28   | V353-00-0630 | COLLAR,5          | 6    | V608-00-0000 | PIN,ENG 10       | 2    |
| P100-00-0070 | MUFFLER ASY        | 16   | V376-00-1980 | SPACER            | 8    | V804-00-0010 | BOLT, TORX 4     | 24   |
| P100-00-0080 | CLUTCH SHOE SET    | 8    | V420-00-4090 | CUSHION           | 8    | V804-00-0030 | BOLT, TORX 4     | 16   |
| P100-00-2560 | HANDLE ASY         | 22   | V430-00-5060 | CABLE,BOWDEN      | 24   | V805-00-0060 | BOLT, TORX 5     | 24   |
| P100-00-2570 | FIXTURE,ASY HANDLE | 22   | V452-00-0060 | SPRING,TORSION    | 24   | V805-00-0100 | BOLT, TORX 5     | 10   |
| P100-00-2580 | HOOK ASY           | 22   | V452-00-1310 | SPRING,TORSION    | 20   | V805-00-0130 | BOLT, TORX 5     | 20   |
| P100-00-2600 | SWITCH,ON OFF      | 24   | V452-00-1471 | SPRING,TORSION    | 6    | V805-00-0140 | BOLT, TORX 5     | 6    |
| P100-00-2610 | CASE,CLUTCH ASY    | 8    | V452-00-1540 | SPRING,TORSION    | 24   | V805-00-0140 | BOLT, TORX 5     | 8    |

## NUMERICAL PARTS INDEX

| Part No      | Part description | Page | Part No      | Part description | Page |
|--------------|------------------|------|--------------|------------------|------|
| V805-00-0140 | BOLT, TORX 5     | 22   | X505-00-2310 | LABEL,CAUTION    | 16   |
| V805-00-0150 | BOLT, TORX 5     | 6    | X524-00-1901 | LABEL            | 10   |
| V805-00-0150 | BOLT, TORX 5     | 18   | X547-00-2290 | LABEL,ECHO       | 2    |
| V805-00-0150 | BOLT, TORX 5     | 20   | X602-00-0020 | TOOL,WRENCH      | 26   |
| V805-00-0170 | BOLT, TORX 5     | 8    | X605-00-0170 | TOOL,L WRENCH    | 26   |
| V805-00-0170 | BOLT, TORX 5     | 20   | X606-00-0080 | TOOL,BAR         | 26   |
| V805-00-0170 | BOLT, TORX 5     | 22   | X690-00-0080 | GOGGLE           | 26   |
| V805-00-0210 | BOLT, TORX 5     | 2    |              |                  |      |
| V805-00-0250 | BOLT, TORX 5     | 16   |              |                  |      |
| V805-00-0260 | BOLT, TORX 5     | 16   |              |                  |      |
| V805-00-0260 | BOLT, TORX 5     | 20   |              |                  |      |
| V805-00-0290 | BOLT, TORX 5     | 4    |              |                  |      |
| V806-00-0050 | BOLT, TORX 6     | 16   |              |                  |      |
| V806-00-0100 | BOLT, TORX 6     | 20   |              |                  |      |
| V835-00-0000 | BOLT, TORX 5     | 2    |              |                  |      |
| V835-00-0000 | BOLT, TORX 5     | 4    |              |                  |      |
| V835-00-0000 | BOLT, TORX 5     | 8    |              |                  |      |
| V835-00-0000 | BOLT, TORX 5     | 14   |              |                  |      |
| V835-00-0010 | BOLT, TORX 5     | 10   |              |                  |      |
| V835-00-0030 | BOLT, TORX 5     | 10   |              |                  |      |
| V835-00-0030 | BOLT, TORX 5     | 18   |              |                  |      |
| X047-00-0230 | CUTTER,ASM LINE  | 26   |              |                  |      |
| X047-00-0230 | CUTTER,ASM LINE  | 28   |              |                  |      |
| X502-00-0900 | LABEL,ECHO       | 18   |              |                  |      |